



HA43 JE

Excellent maneuverability

- Compact size with 4 ft 11 in width
- 6 ft 7 in stowed height can pass through a standard doorway
- 140° (+70°/-70°) fly jib range of motion
- Tight turning radius (12 ft 2 in)

Optimal productivity and comfort

- 28 ft 9 in outreach
- Long working cycles
- Full proportional controls

Reliable and easy to maintain



Haulotte 
GROUP

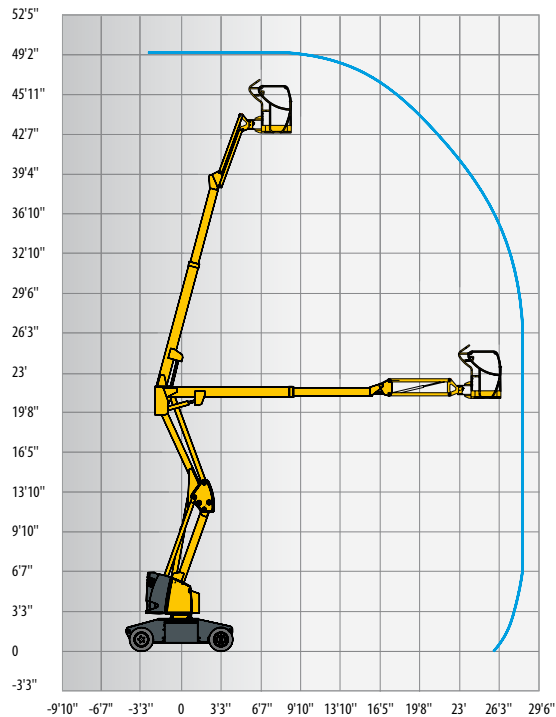
More than lifting



TECHNICAL DATA

HA43 JE

Working height	48 ft 7 in
Platform height	42 ft 7 in
Horizontal outreach	28 ft 9 in
Up and over clearance	21 ft 8 in
Lift capacity	500 lbs
Vertical jib rotation	140° (+70/-70)
A Length	21 ft 7 in
B Width	4 ft 11 in
C Height - stowed	6 ft 7 in
Transport height	9 ft 2 in
D Wheelbase	6 ft 7 in
E Ground clearance	6 in
F x G Platform size	3 ft 11 in x 2 ft 7 in
Tailswing	0 in
Drive speed	0.4 - 3.1 mph
Turning radius - outside	12 ft 2 in
Turntable rotation	350 °
Platform rotation	180° (+90/-90)
Batteries	48 V - 345 Amph (C5)
Gradeability	25 %
Tires	23x10-12
Hydraulic tank capacity	8 gal
Weight	16,094 lbs



STANDARD EQUIPMENT

- 2 wheel drive
- 48 V DC drive system
- 110V / 60 hz plug for charger
- Battery charger 110 V - 50 & 60 Hz
- Battery charge indicator
- Hour meter
- Low voltage interrupt
- Solid non-marking tires
- Towing hooks and lifting points
- Tilt alarm
- AC power to the platform
- Electric horn
- Fully proportional controls

OPTIONS AND ACCESSORIES

- Alarm package (motion alarm)
- Centralized battery filling
- Flashing beacon
- Fluorescent tube caddy
- Orange safety cone holder
- 45W platform worklight
- Air line to platform

