

# ELECTRIC SCISSOR LIFTS

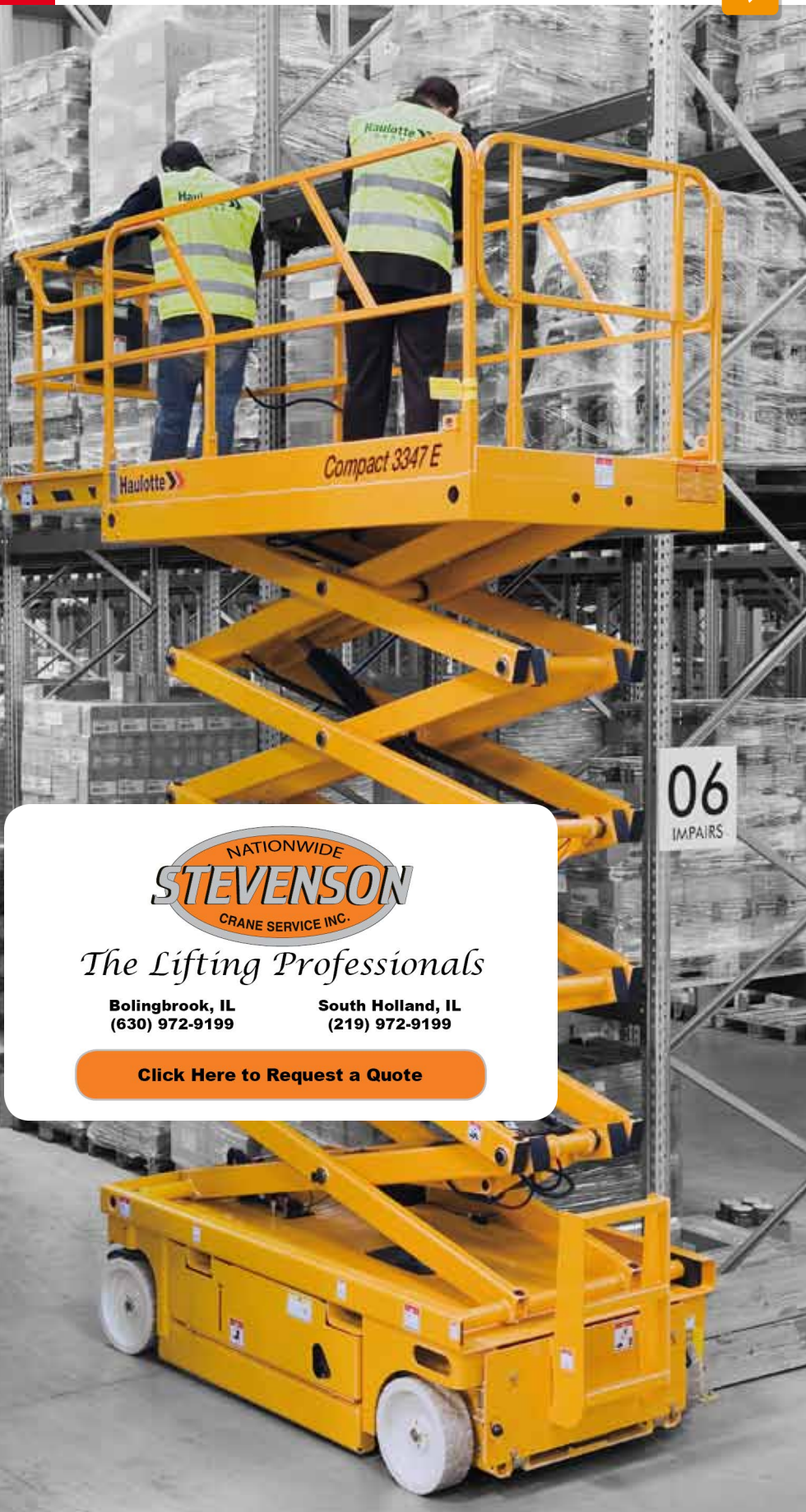


## COMPACT 2747 E COMPACT 3347 E

### Exceptional productivity

- Load capacity up to 1000 lbs (C2747 E)
- Driveable at full height
- Both inside and outside use with the same load capacity
- Extendable platform
- Width of 3 ft 11 in
- Long working cycles

### Reliable and easy to maintain



*The Lifting Professionals*

Bolingbrook, IL  
(630) 972-9199

South Holland, IL  
(219) 972-9199

[Click Here to Request a Quote](#)



**Haulotte**   
GROUP

More than lifting

[www.haulotte-usa.com](http://www.haulotte-usa.com)

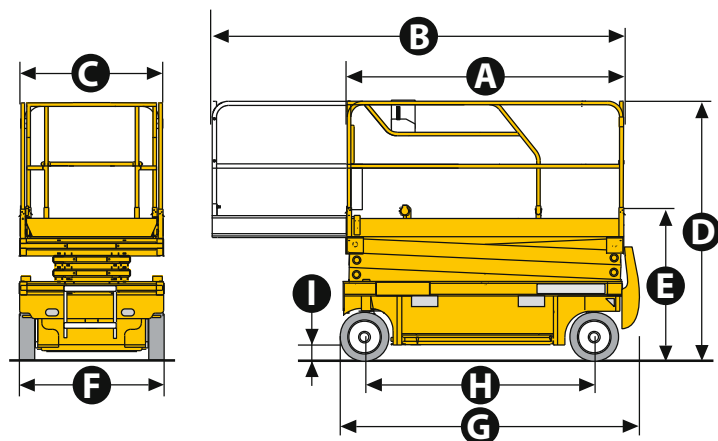


# COMPACT 2747 E / COMPACT 3347 E

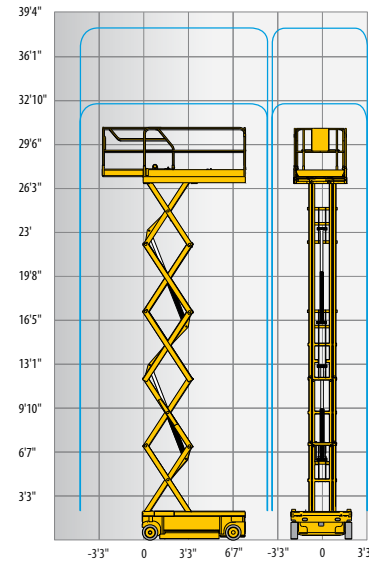
## ELECTRIC SCISSOR LIFTS

### TECHNICAL DATA

	Compact 2747 E	Compact 3347 E
Working height	32 ft 9 in	38 ft 10 in
Platform height	26 ft 9 in	32 ft 10 in
Driveable at full height up to	26 ft 9 in	32 ft 10 in
Lift capacity - inside	1000 lbs	650 lbs
Lift capacity - outside	1000 lbs	650 lbs
<b>A</b> Platform length - outside	7 ft 7 in	7 ft 7 in
<b>B</b> Platform length - extended	10 ft 7 in	10 ft 7 in
Extension length	3 ft	3 ft
<b>C</b> Platform width - outside	3 ft 11 in	3 ft 11 in
<b>E</b> Storage height	4 ft 7 in	5 ft
<b>D</b> Height - stowed	7 ft 5 in	7 ft 10 in
<b>F</b> Overall width	3 ft 11 in	3 ft 11 in
<b>G</b> Length	8 ft	8 ft
<b>H</b> Wheelbase	6 ft 1 in	6 ft 1 in
<b>I</b> Ground clearance	6 in	6 in
Ground clearance - Pothole guards deployed	1 in	1 in
Drive speed	0.6 - 2.2 mph	0.5 - 2.2 mph
Gradeability	23 %	23 %
Lift / lower speed	51 s / 42 s	83 s / 52 s
Turning radius - outside	8 ft 2 in	8 ft 2 in
Non-marking tires	15x5	15x5
Batteries	24 V - 255 Amph (C5)	24 V - 255 Amph (C5)
Hydraulic system capacity	7 gal	7 gal
Weight	5,138 lbs	5,446 lbs



Compact 2747 E  
Compact 3347 E



### STANDARD EQUIPMENT

- Pothole protection
- Battery charge indicator
- Proportional lift and drive
- Removable control box in platform
- Swing out component tray
- Slide out battery compartment
- Battery charger 110V / 60 Hz
- Non-marking tires
- Manual brake release
- Tilt alarm
- Manual platform lowering valve
- Integrated forklift pockets
- Towing hooks
- Electric horn
- Hour meter
- Folding guardrails
- Onboard diagnostics
- AC power to the platform
- 3' extension deck
- Lanyard attachment points

### OPTIONS AND ACCESSORIES

- Flashing beacon
- Alarm package (motion alarm)
- Travel alarm
- Descent alarm
- 70 W platform working light
- Centralized battery filling
- Cold weather package
- 60in. cord extension for upper control box
- Upper control box protection cover (transparent plastic and fixed place -available also for folding guardrails)

