



COMPACT 3947 E



Exceptional productivity

- Working height up to 44 ft 9 in
- Driveable at full height
- Load capacity: 770 lbs
- Reliable and easy to maintain
- Extendable platform
- Long working cycles

Optimum compactness

- 3 ft 11 in width
- Folding guardrails



Haulotte 
GROUP

More than lifting





COMPACT 3947 E

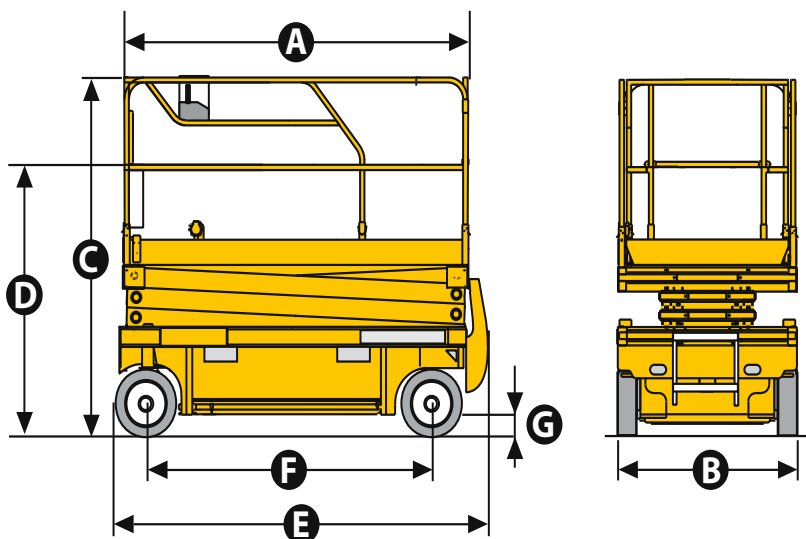


ELECTRIC SCISSOR LIFTS

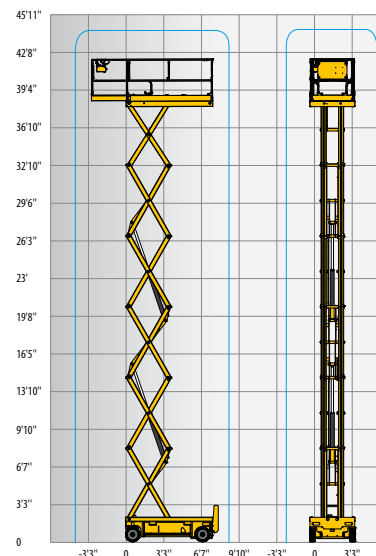
TECHNICAL DATA

COMPACT 3947 E

Working height	44 ft 9 in
Platform height	38 ft 9 in
Lift capacity	770 lbs
A Platform length - outside	7 ft 7 in
Platform length - extended	10 ft 7 in
Extension length	3 ft
Platform width - outside	3 ft 11 in
D Storage height	6 ft 10 in
C Height - stowed	8 ft 2 in
B Overall width	3 ft 11 in
E Length	8 ft 0 in
F Wheelbase	6 ft 1 in
G Ground clearance	6 in
Ground clearance - Pothole guards deployed	1 in
Drive speed	0.6 - 1.7 mph
Driveable at full height up to	38 ft 9 in
Gradeability	23 %
Lift / lower speed	68 s / 54 s
Turning radius - outside	7 ft 9 in
Non-marking tires	15x5
Batteries	24 V - 255 Amph (C5)
Hydraulic system capacity	7 gal
Weight	7,001 lbs



770 lbs / 3x



STANDARD EQUIPMENT

- Pothole protection
- Battery charge indicator
- Proportional lift and drive
- Removable control box in platform
- Swing out component tray
- Slide out battery compartment
- Battery charger 110V / 60 Hz
- Non-marking tires
- Manual brake release
- Tilt alarm
- Manual platform lowering valve
- Integrated forklift pockets
- Towing hooks
- Electric horn
- Hour meter
- Folding guardrails
- Onboard diagnostics
- AC power to the platform
- 3' extension deck
- Lanyard attachment points

OPTIONS AND ACCESSORIES

- Flashing beacon
- Alarm package (motion alarm)
- Travel alarm
- Descent alarm
- 70 W platform working light
- Centralized battery filling
- Cold weather package
- 60in. cord extension for upper control box
- Upper control box protection cover (transparent plastic and fixed place)

