



HA33 JE

Excellent maneuverability

- Compact size with 4 ft 5 in width
- 6 ft 7 in stowed height to pass through a standard doorway
- 140° (+70°/-70°) fly jib range of motion
- Tight turning radius (9 ft 4 in)

Optimal productivity and comfort

- 21 ft 8 in outreach
- Long working cycles
- Full proportional controls

Reliable and easy to maintain



Haulotte 
GROUP

More than lifting



The Lifting Professionals

Bolingbrook, IL
(630) 972-9199

South Holland, IL
(219) 972-9199

[Click Here to Request a Quote](#)



HA33 JE

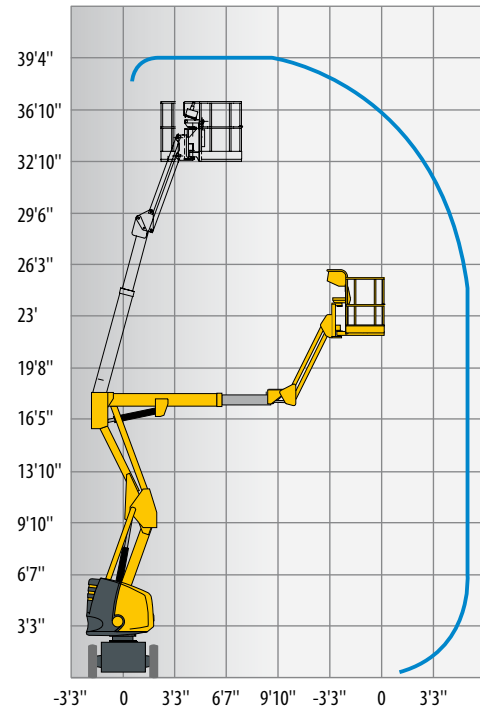


ELECTRIC ARTICULATING BOOMS

TECHNICAL DATA

HA33 JE

Working height	38 ft 9 in
Platform height	32ft 9 in
Horizontal outreach	21 ft 8 in
Up and over clearance	17 ft 3 in
Lift capacity	500 lbs
Vertical jib rotation	140° (+70/-70)
A Length	17 ft 11 in
B Width	4 ft 5 in
C Height - stowed	6 ft 7 in
Transport height	8 ft 2 in
D Wheelbase	6 ft 7 in
E Ground clearance	6 in
F x G Platform size	3 ft 11 in x 2 ft 7 in
Tailswing	0 in
Drive speed	0.6 - 2.8 mph
Turning radius - outside	9 ft 4 in
Turntable rotation	355 °
Platform rotation	180° (+90/-90)
Batteries	48 V - 345 Amph (C5)
Gradeability	25 %
Tires	7.00x12 in
Hydraulic tank capacity	8 gal
Weight	13,007 lbs



STANDARD EQUIPMENT

- 2 wheel drive
- 48 V drive system
- 110V / 60 hz plug for charger
- Battery charger 110V - 50 & 60 Hz
- Solid, non-marking tires
- Towing hooks and lifting points
- Hour meter
- Low voltage interrupt
- Battery charge indicator
- Tilt alarm
- AC power to the platform
- Fully proportional controls
- Electric horn

OPTIONS AND ACCESSORIES

- Alarm package (motion alarm)
- Centralized battery filling
- Flashing beacon
- Fluorescent tube caddy
- Orange safety cone holder
- 45W platform worklight
- Air line to platform
- Travel alarm
- Descent alarm

