



HA46 JRT HA51 JRT

Optimal productivity

- Continuous 360° turntable rotation
- Fully proportional controls and simultaneous boom functions
- Lifts to full height in 44 seconds

Outstanding rough terrain driving features

- 4 wheel drive and 4 wheel steer for greater maneuverability
- Hydraulic differential lock
- 16 in ground clearance

30 ft 5 in (HA46) and 35 ft 2 in (HA51) outreach provide a large working envelope



The Lifting Professionals

Bolingbrook, IL
(630) 972-9199

South Holland, IL
(219) 972-9199

[Click Here to Request a Quote](#)

Haulotte 
GROUP

More than lifting

www.haulotte-usa.com





HA46 JRT / HA51 JRT

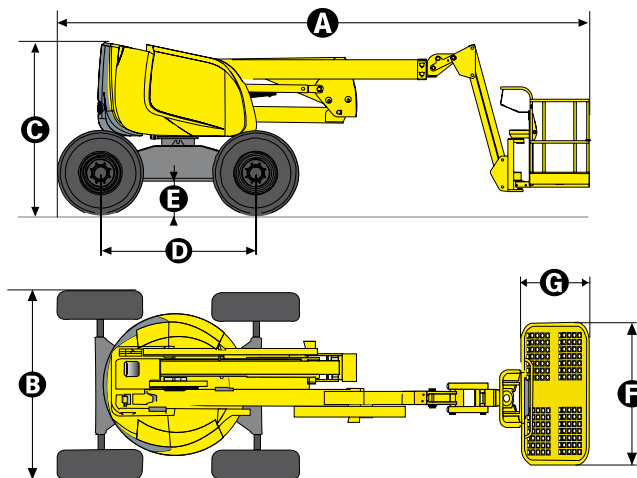
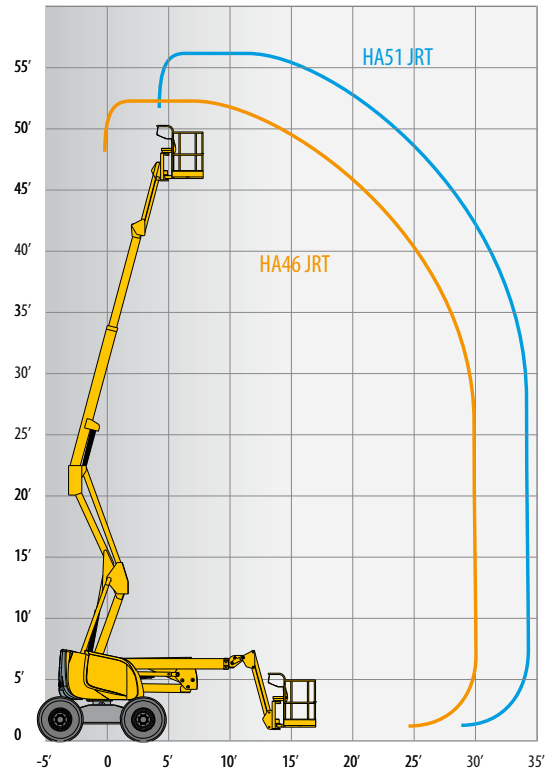
ROUGH TERRAIN ARTICULATING BOOMS

TECHNICAL DATA

HA46JRT

HA51 JRT

Working height	51 ft 11 in	56 ft 2 in
Platform height	45 ft 11 in	50 ft 2 in
Horizontal outreach	30 ft 5 in	35 ft 2 in
Up and over height	21ft 8 in	21 ft 8 in
Lift capacity	500 lbs	500 lbs
F x G Platform size	7 ft 6 in x 2 ft 7 in	7 ft 6 in x 2 ft 7 in
A Length	22 ft 10 in	24 ft 11 in
Transport length	17 ft 2 in	19 ft 4 in
B Width	7 ft 7 in	7 ft 7 in
C Height - stowed	7 ft 7 in	7 ft 7 in
Transport height	7 ft 7 in	7 ft 7 in
Vertical jib rotation	140° (+70/-70)	140° (+70/-70)
Platform rotation	180° (+90/-90)	180° (+90/-90)
Turntable rotation	360°	360°
Tailswing	0 ft	0 ft
D Wheelbase	6 ft 6 in	6 ft 6 in
E Ground clearance	16 in	16 in
Drive speed	0.5 - 3.4 mph	0.5 - 3.4 mph
Gradeability	50 %	50 %
Turning radius - outside	12 ft 4 in	12 ft 4 in
Tires	385/65-22.5	385/65-22.5
Engine	31 kW- 42 hp	31 kW - 42 hp
Hydraulic tank capacity	26 gal	26 gal
Fuel tank capacity	19 gal	19 gal
Weight	15,325 lbs	17,901 lbs



STANDARD EQUIPMENT

- 4 wheel drive 4 wheel steer
- Foam filled rough terrain tires
- Rotating engine tray for easy maintenance
- Swing lockpin for transport
- Tow hooks
- 19 gal fuel tank, 60 in fill height
- Hour meter
- Large platform
- AC power to the platform
- Fully proportional controls
- Electric horn
- Tilt alarm

OPTIONS AND ACCESSORIES

- Arctic package (consult factory)
- Alarm package (motion alarm)
- Flashing beacon
- Air line to platform
- 55W platform working light
- Descent alarm
- Travel alarm

