



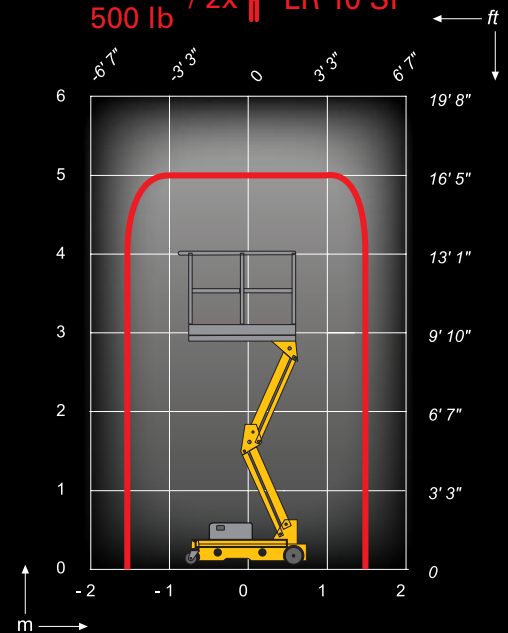
**Increased productivity:**

- ➔ Electric drive with the ability to drive at full height
- ➔ Compact and easy to drive
- ➔ Smooth and accurate controls
- ➔ Lightweight machine

**Specs at a glance:**

- ➔ 16 working height
- ➔ Max width only 2 ft 8 in
- ➔ Drive speeds up to 3 mph

227 kg  
500 lb / 2x  LR 10 SP



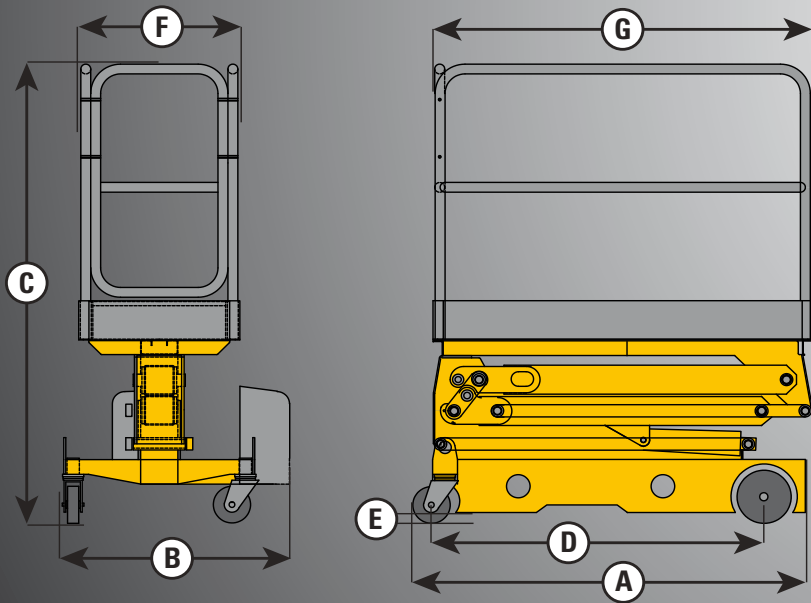
**Haulotte**   
GROUP

More Than Lifting



# LiteRiser 10 SP

## Vertical Masts



### TECHNICAL SPECS

### LR 10 SP

|                        |  |
|------------------------|--|
| Working height         | 16 ft                                      |
| Platform height        | 10 ft                                      |
| Lift capacity          | 500 lb                                     |
| A - Length             | 5 ft 9 in                                  |
| B - Width              | 2 ft 8 in                                  |
| C - Stowed height      | 6 ft 4 in                                  |
| D - Wheelbase          | 4 ft                                       |
| E - Ground clearance   | 1 in                                       |
| F x G - Platform size  | 2 ft 3 in x 4 ft 9 in                      |
| Drive speed            | 0.6 - 3 mph                                |
| Outside turning radius | 6 ft 3 in                                  |
| Inside turning radius  | 0  |
| Batteries              | 2 x Maintenance free 100 amp-hr            |
| Gradeability           | 25%  |
| Non-marking tires      | Caster: 8 in x 2 in<br>Drive: 13 in x 4 in |
| Brakes                 | Spring applied / Electric release          |
| Weight                 | 1,250 lb                                   |

### STANDARD EQUIPMENT & HIGHLIGHTS

- Lightweight and compact
- 30 amp automatic battery charger
- 24 V electric drive
- Travels through a standard doorway
- Forklift pockets
- Zero inside turning radius
- Simple to use control system with adjustable parameters

### OPTIONS & ACCESSORIES

- Alarm package



**Haulotte**   
GROUP