



*The Lifting Professionals*

Bolingbrook, IL  
(630) 972-9199

South Holland, IL  
(219) 972-9199

[Click Here to Request a Quote](#)



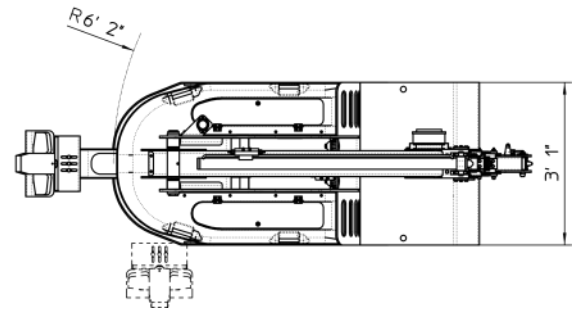
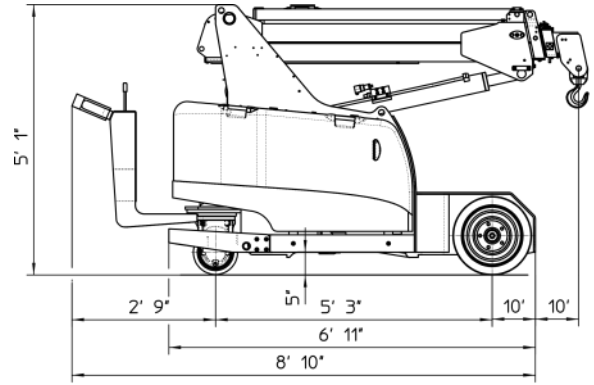
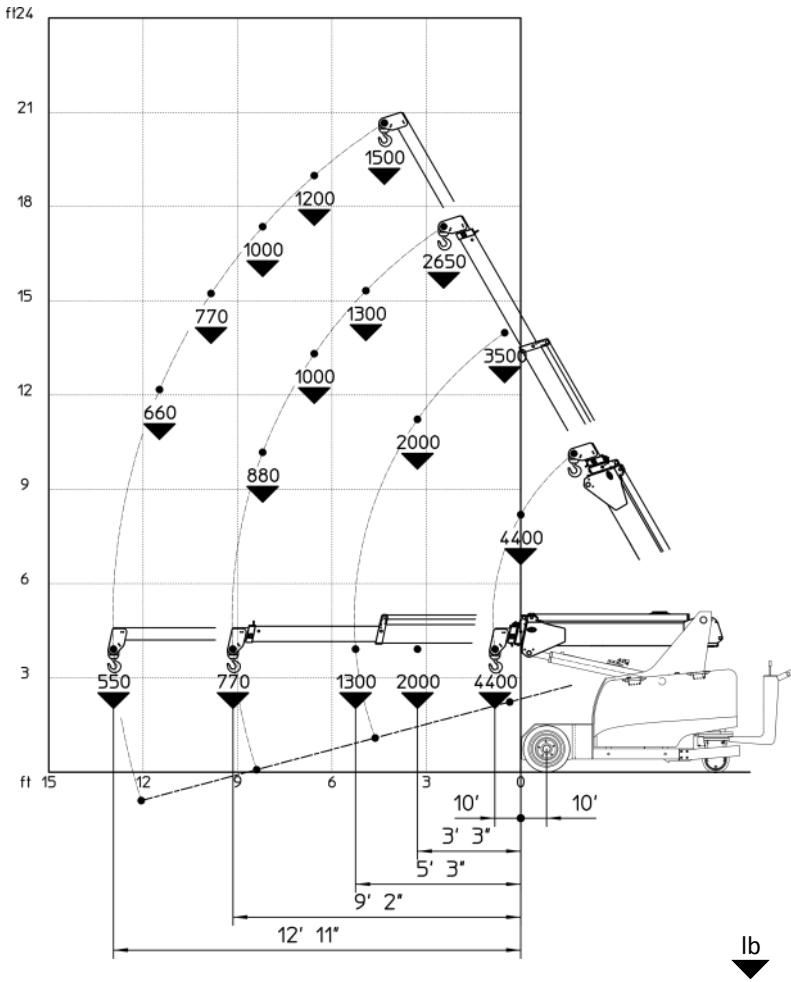
**MC 20 - Max capacity 4400 lb**

**PICK & CARRY CRANE**



**Electric by battery**

# MC 20



lb      ft.

MODEL	MC20
CRANE CLASSIFICATION ACCORDING TO UNI ISO 4301-1	A3
REFERENCE STANDARDS	2006/42 CE - 2004/108 CE I.S.P.E.S.L. DIN 15018 (1,3) - 15019 (1) Class H2 B3 ANSI B30.5 - 2007 and subsequent modifications
TRACTION	Electric
BOOM ACTIVATION	Hydraulic
POWER TYPE	Electric battery
MAX. CAPACITY (lb)	4400
TOTAL WEIGHT (lb)	4300
BOOM ANGLE TOPSIDE (°)	60
BOOM ANGLE DOWNSIDE (°)	-15

**FRAME:** JMG designed and manufactured, box type, torsion resistant design of high strength structural steel.

**BOOM:** Made of moulded and welded quality steel plate, comprised of a base unit, a hydraulic telescopic system and two manual extensions.

**MOTOR:** 1 Electric motor 2,6 kW 24 V AC

**BATTERY:** 24 V 420 Ah battery charging indicator.

**TRANSMISSION:** Rear axle by reducer.

**WHEELS:** Front: 2 Superelastic 18x7x8" - Rear: 1 Polyurethane 255/80.

**BRAKING:** Automatic on the rear wheel.

**STEERING:** Steering on the rear wheel. Max. steering angle  $\pm 90^\circ$ .

**ELECTRIC PUMP:** 2,5 kW 24 V DC Motor

**HYDRAULIC SYSTEM:** Hydraulic system powered by a silenced gear pump. Actuators controlled by lever distributor. Filter and safety valve. 22 MPa max. working pressure.

**SAFETY DEVICES:** Electronic load moment indicator.

**OPTIONAL EQUIPMENT (at extra charge)**

Hydraulic winch - High speed winch - Jib - Non-marking wheels - Hydraulic boom with manual extension - Man basket - Hydraulic chain hoist - Cable remote control - Radio remote control - Front wheels braking system