

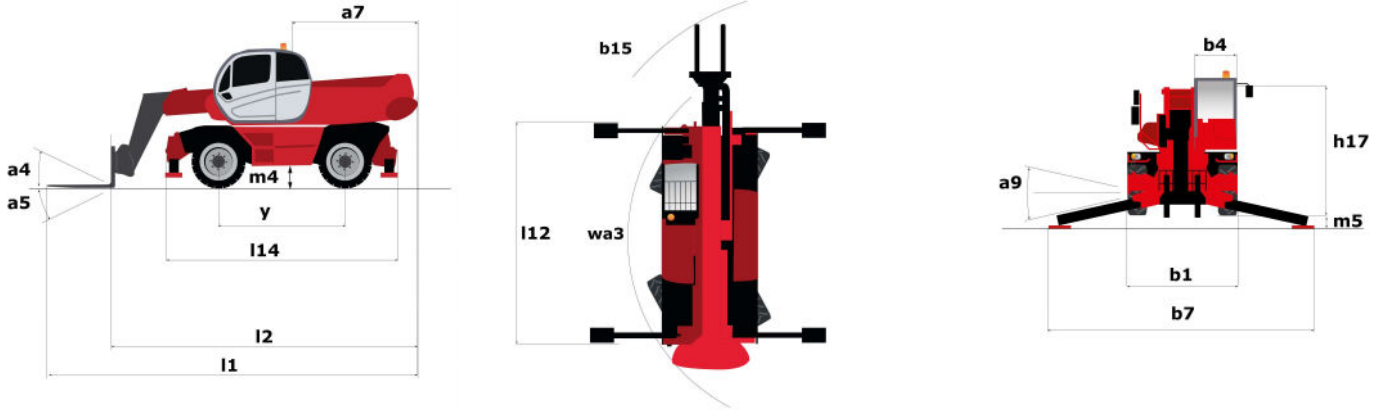
Technical sheet :

MRT 3050 PRIVILEGE PLUS



Capacities		Imperial
Max. capacity	Q	11021 lbs
Max. lifting height	h3	96 ft 9 in
Max. Reach	l4	84 ft 8 in
Weight and dimensions		
Overall width	b1	8 ft 2 in
Overall height	h17	10 ft
Overall cab width	b4	3 ft 3 in
Outer frame turning radius	Wa3	16 ft 1 in
Ground clearance	m4	1 ft 2 in
Wheelbase	y	10 ft 8 in
Tilt-up angle	a4	12 °
Tilt-down angle	a5	108 °
Turret rotation		360 °
Overall weight		48083 lbs
Forks length / width / section	l / e / s	47.244 in x 1.772 in x 5.118 in
Wheels		
Tyres type		Pneumatic
Standard tyres		445/65 R22,5
Drive wheels (front / rear)		2 / 2
Steering mode		2 wheel steer, 4 wheel steer, Crab mode
Stabilisers		
Stabs Type		Telescopic Duplex
Controls with stabs		Stabs Commands Individual or Simultaneous
Engine		
Engine brand		Mercedes
Engine norm		Stage IV / Tier 4 Final
Engine model		OM 934 LA.E4-3
I.C. Engine power rating / Power (kW)		176 Hp / 129 kW
Max. torque / Engine rotation (min) / Engine rotation		750 Nm @ 1200 rpm - 1600 rpm
Number of cylinders - Capacity of cylinders		4 - 313.05 in³
Injection		engine Injection direct
Engine cooling system		Water
Number of batteries / Battery / Batteries capacity		2 x 12 V / 120 Ah
Transmission		
Transmission type		Hydrostatic
Number of gears (forward / reverse)		2 2
Max. travel speed		24.9 mph
Drawbar pull (Laden)		9500 daN
Parking brake		Automatic Negative Hand-brake
Service brake		Hydraulic
Hydraulics		
Hydraulic pump type		Variable pump
Hydraulic flow		180 l/min
Hydraulic Pressure		24 PSI
Tank capacities		
Engine oil		5.55 US gal
Hydraulic oil		76.62 US gal
Fuel tank		76.62 US gal
Diesel Exhaust fluid (AdBlue® type)		15.06 US gal
Noise and vibration		
Noise at driving position (LpA)		79.7 dB(A)
Environmental noise (LwA)		108 dB(A)
Vibration to whole hand/arm		< 2.50 m/s²
Miscellaneous		
Steering wheels (front / rear)		2 / 2
Controls		2 Joysticks
Safety cab homologation		ROPS - FOPS cab (level 2)
Attachment recognition system (E-Reco)		Standard

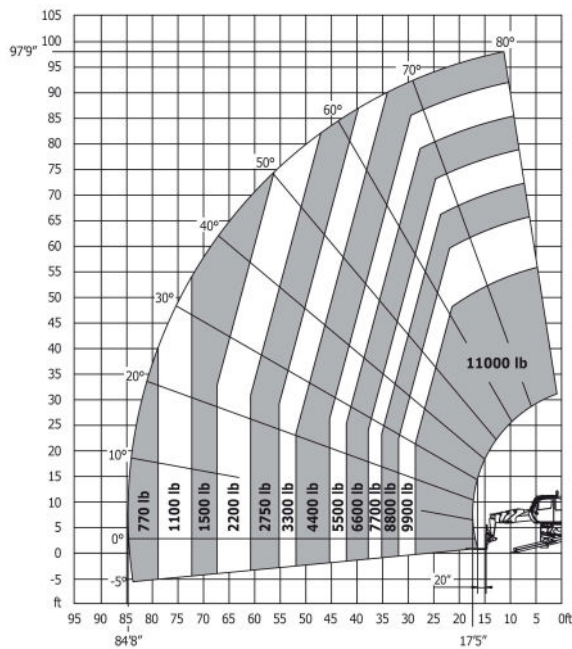
Dimensional drawing



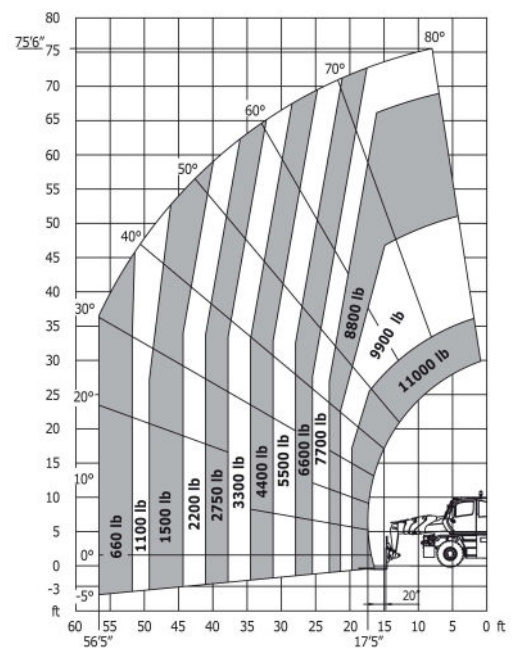
Other data		Imperial
Overall length (with forks)	l1	29 ft 7 in
Length to face of forks	l2	25 ft 8 in
Length of frame	l14	18 ft 5 in
Wheelbase	y	10 ft 8 in
Ground clearance	m4	1 ft 2 in
Counterweight offset (turret at 90°)	a7	11 ft 3 in
Tilt-up angle	a4	12 °
Tilt-down angle	a5	108 °
Overall length at stabilisers	l12	18 ft 5 in
Outer frame turning radius	Wa3	16 ft 1 in
Outer turning radius (with forks)	b15	21 ft 4 in
Overall width	b1	8 ft 2 in
Overall width with stabilisers extended	b7	19 ft 11 in
Overall cab width	b4	3 ft 3 in
Overall height	h17	10 ft
Frame levelling corrector	a9	+/- 7.4 °
Ground clearance under front tires on stabilizers	m5	1 ft 1 in

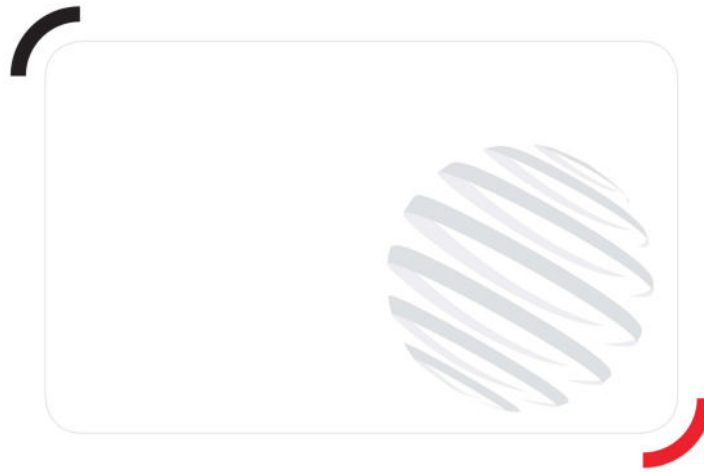
Load chart

Machine on lowered stabilisers with forks Imperial



Machine on tyres with forks Imperial





Siège Social

430 rue de l'Aubinière - 44150 Ancenis Cedex - France

Tel: +33(0)2 40 09 10 11 - Fax: +33 (0)2 40 09 10 97

www.manitou.com



This brochure describes versions and configuration options for Manitou products which may be fitted with different equipment. The equipment described in this brochure may be standard, optional or not available depending on version. Manitou reserves the right to change the specifications shown and described at any time and without prior warning. The manufacturer is not liable for the specifications given. For more information, contact your Manitou dealer. Non-contractual document. Product descriptions may differ from actual products. List of specifications is not comprehensive. The logos and visual identity of the company are the property of Manitou and may not be used without authorisation. All rights reserved. The photos and diagrams contained in this brochure are provided for information only.

MANITOU BF SA - Limited company with board of directors - Share capital: 39,668,399 euros - 857 802 508 RCS Nantes