

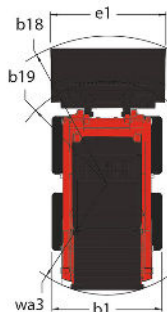
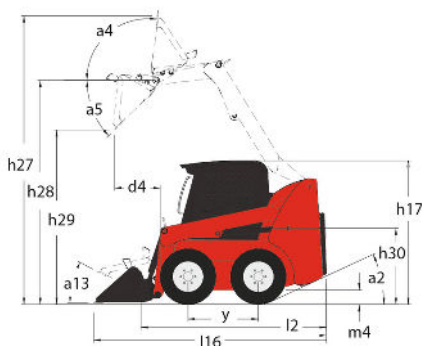
Technical sheet :

1650 R



| Capacities | | Imperial |
|--|-----|-------------------------|
| Rated Operating Capacity | | 1649 lb |
| Rated Operating Capacity with Optional Counterweight | | 1800 lb |
| Unladen weight | | 6164 lb |
| Weight and dimensions | | |
| Overall Operating Height - Fully Raised | h27 | 153 in |
| Height to Hinge Pin - Fully Raised | h28 | 119 in |
| Overall Height to Top of ROPS | h17 | 77 in |
| Dump angle at full height | a5 | 38 ° |
| Dump height | h29 | 94 in |
| Overall length with bucket | l16 | 122 in |
| Dump reach - Full height | r6 | 23 in |
| Rollback at ground | | 28 ° |
| Seat to ground height | h30 | 36 in |
| Wheelbase | y | 39 in |
| Overall width less bucket | b1 | 61 in |
| Bucket Width | e1 | 61 in |
| Ground clearance | m4 | 6 in |
| Overall length - Less Bucket | l2 | 94 in |
| Departure angle | a2 | 21 ° |
| Clearance Radius - Front with Bucket | b18 | 74 in |
| Clearance Circle - Front without Bucket | b19 | 45 in |
| Clearance Circle - Rear | wa1 | 58 in |
| Performances | | |
| Travel Speed with Two-Speed Option - Maximum | | 12 mi/h |
| Travel speed (unladen) | | 8 mi/h |
| Wheels | | |
| Standard tyres | | 10.00x16.5 HD |
| Engine | | |
| Engine brand | | Yanmar |
| Engine model | | 4TNV88C-KMS |
| Gross Power (kW) | | 52 kW |
| Net Power (kW) | | 51 kW |
| Max. torque / Engine rotation | | 241 Nm / 2500 rpm |
| Battery | | 12 V |
| Alternator | | 100 kW |
| Starter (kW) | | 3 kW |
| Hydraulics | | |
| Standard flow - Auxiliary hydraulics | | 71.40 l/min |
| Auxiliary Hydraulic Pressure | | 3002 PSI |
| High-Flow Auxiliary Hydraulics - Option | | 114 l/min |
| High-Flow Auxiliary Hydraulics Pressure - Option | | 2901 PSI |
| Tank capacities | | |
| Fuel tank | | 17 US gal |
| Reservoir Capacity Hydraulics | | 11 US gal |
| Displacement | | 0.87 US gal |
| Noise and vibration | | |
| Environmental noise (LWA) | | 101 dB |
| Noise at driving position (LpA) | | 85 dB |
| Whole-Body Vibration (ISO 2631-1) | | 0.90 m/s ² |
| Vibration to whole hand/arm | | < 1.77 m/s ² |

1650 R - Dimensional drawing



Equipment

| | |
|--|----------|
| — | |
| Integral Access Plate (removable) | Standard |
| Lifting function | |
| All-Tach® Attachment Mounting System | Standard |
| Auxiliary Hydraulics | Standard |
| High-Flow Auxiliary Hydraulics | Optional |
| Power-A-Tach® Attachment Mounting System | Optional |
| Lighting | |
| Work Lights - Front and Rear | Standard |
| Motorization/Power | |
| Engine Auto-Shutdown System | Standard |
| Engine Block Heater | Optional |
| Swing-Out Cooler | Standard |
| Two-Speed Drive | Optional |
| Operator station | |
| Air conditioning with manual adjustment | Optional |
| Air suspension seat | Optional |
| Cab Enclosure | Optional |
| Foot and Hand Throttles 2 | Standard |
| Gehl T-Bar Controls | Optional |
| Hand/Foot Controls | Optional |
| Heating | Optional |
| High-Back Adjustable Seat | Standard |
| Hom | Standard |
| Joystick controls | Optional |
| ROPS/FOPS Level II Overhead Guard | Standard |
| Sound Reduction Material | Standard |
| Suspension Seat - Mechanical | Optional |
| Other options | |
| Hydrostatic Drive - Servo | Standard |
| Selectable Self-Leveling Hydraulic Lift Action 4 | Optional |
| Secondary functions | |
| Counterweight | Optional |
| Full Instrumentation | Standard |
| Hydraglide™ Ride Control 3 | Optional |
| Security | |
| Anti-Vandalism Protection | Standard |
| Back-Up Alarm | Optional |
| Brake Control (Auto / Manual) | Standard |
| Hydraloc™ Safety System | Standard |
| Lift Arm Support Device | Standard |
| Operator Restraint Bar | Standard |



Siège Social
430 rue de l'Aubinière - 44150 Ancenis Cedex - France
Tel: +33(0)2 40 09 10 11 - Fax: +33 (0)2 40 09 10 97
www.manitou.com



This brochure describes versions and configuration options for Manitou products which may be fitted with different equipment. The equipment described in this brochure may be standard, optional or not available depending on version. Manitou reserves the right to change the specifications shown and described at any time and without prior warning. The manufacturer is not liable for the specifications given. For more information, contact your Manitou dealer. Non-contractual document. Product descriptions may differ from actual products. List of specifications is not comprehensive. The logos and visual identity of the company are the property of Manitou and may not be used without authorisation. All rights reserved. The photos and diagrams contained in this brochure are provided for information only.

MANITOU BF SA - Limited company with board of directors - Share capital: 39,668,399 euros - 857 802 508 RCS Nantes