

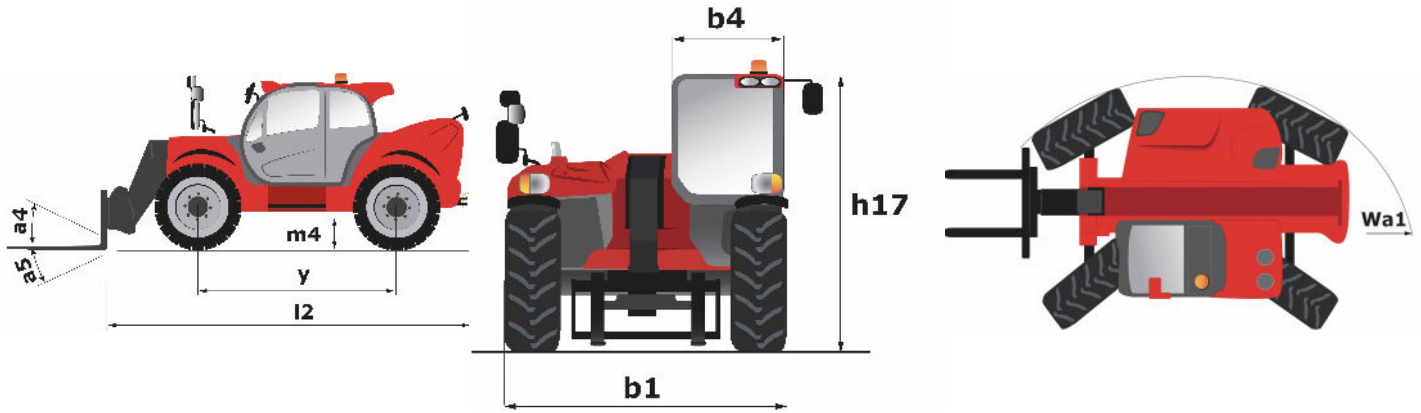
Technical sheet :

MHT 10130

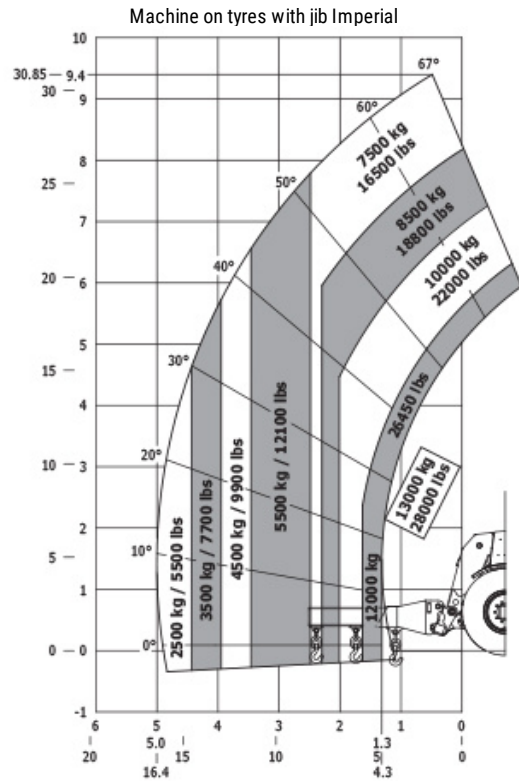
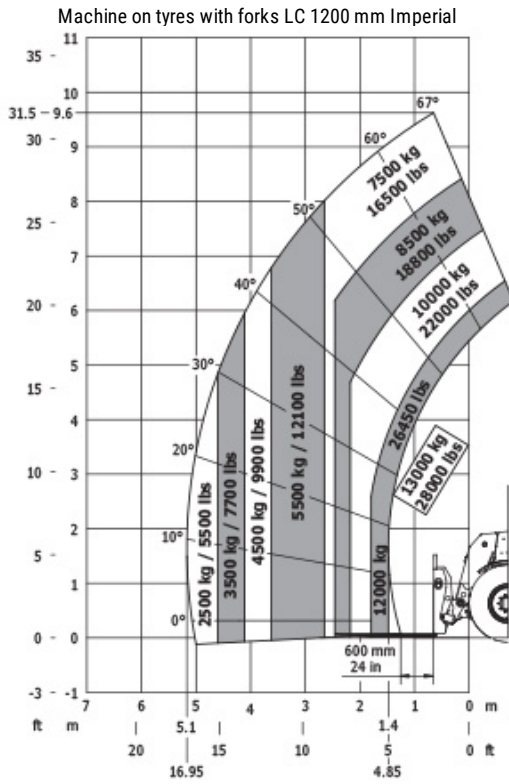


Capacities		Imperial
Max. capacity		28660.09 lbs
Load centre of gravity	c	1 ft 11.62 in
Max. lifting height		31 ft 7.92 in
Max. Reach		16 ft 11.54 in
Weight and dimensions		
Unladen weight (with forks)		40763.47 lbs
Ground clearance	m4	1 ft 5.32 in
Wheelbase	y	0.13 in
Overall width	b1	8 ft 2.81 in
Overall height	h17	9 ft 9.71 in
Overall cab width	b4	3 ft 0.61 in
Tilt-down angle	a5	117 °
Tilt-up angle	a4	18 °
External turning radius (over tyres)	Wa1	17 ft 6.23 in
Outer turning radius (with forks)	b15	17 ft 6.23 in
Forks length / width / section	l / e / s	2.75 in x 3 ft 11.24 in / 7.87 in
Wheels		
Standard tyres		Aeolus - A2237 - 17.5 R25
Number of front wheels / rear wheels		2 / 2
Steering wheels (front / rear)		2 / 2
Drive wheels (front / rear)		2 / 2
Steering mode		2 wheel steer, 4 wheel steer, Crab mode
Engine		
Engine brand		Mercedes
Engine norm		Stage IV / Tier 4 Final
Engine model		OM 934 LA. E4-3
Number of cylinders / Capacity of cylinders		4 - 311.22 in³
I.C. Engine power rating / Power (kW)		176 Hp / 129 kW
Max. torque / Engine rotation		750 Nm@1600 rpm
Engine cooling system		Water
Number of batteries		2
Battery / Batteries capacity		12 V / 120 Ah
Drawbar pull (Laden)		10800 daN
Transmission		
Transmission type		Hydrostatic
Number of gears (forward / reverse)		2 / 2
Max. travel speed		19.26 mph
Parking brake		Automatic Negative Hand-brake
Service brake		Oil-immersed multi-discs on front & rear axles
Gradeability (laden)		34 %
Hydraulics		
Hydraulic pump type		Variable pump
Hydraulic flow - Pressure		180 l/min - 4351.13 PSI
Tank capacities		
Engine oil		5.54 US gal
Hydraulic oil		76.60 US gal
Fuel tank		83.21 US gal
Diesel Exhaust fluid (AdBlue® type)		16.64 US gal
Noise and vibration		
Noise at driving position (LpA)		80 dB(A)
Noise to environment (LwA)		107 dB(A)
Vibration on hands/arms		< 2.50 m/s²
Miscellaneous		
Safety cab homologation		ROPS - FOPS cab (level 2)
Controls		JSM
Attachment recognition system (E-Reco)		Standard

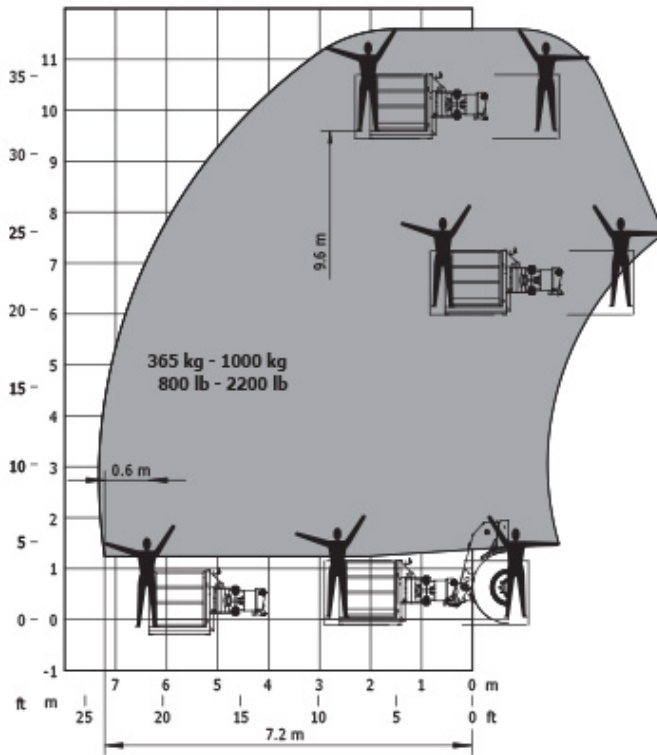
Dimensional drawing



Load chart



Machine on tyres with platform Imperial





Siège Social

430 rue de l'Aubinière - 44150 Ancenis Cedex - France

Tel: +33(0)2 40 09 10 11 - Fax: +33 (0)2 40 09 10 97

www.manitou.com



This brochure describes versions and configuration options for Manitou products which may be fitted with different equipment. The equipment described in this brochure may be standard, optional or not available depending on version. Manitou reserves the right to change the specifications shown and described at any time and without prior warning. The manufacturer is not liable for the specifications given. For more information, contact your Manitou dealer. Non-contractual document. Product descriptions may differ from actual products. List of specifications is not comprehensive. The logos and visual identity of the company are the property of Manitou and may not be used without authorisation. All rights reserved. The photos and diagrams contained in this brochure are provided for information only.

MANITOU BF SA - Limited company with board of directors - Share capital: 39,668,399 euros - 857 802 508 RCS Nantes