



The Lifting Professionals

Bolingbrook, IL
(630) 972-9199

South Holland, IL
(219) 972-9199

[Click Here to Request a Quote](#)



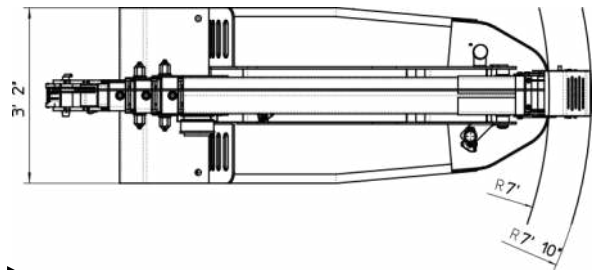
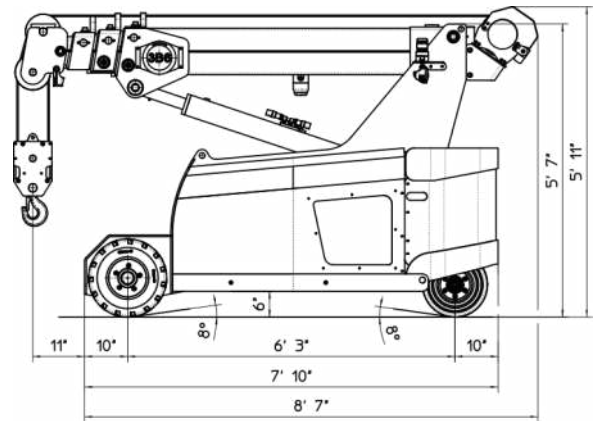
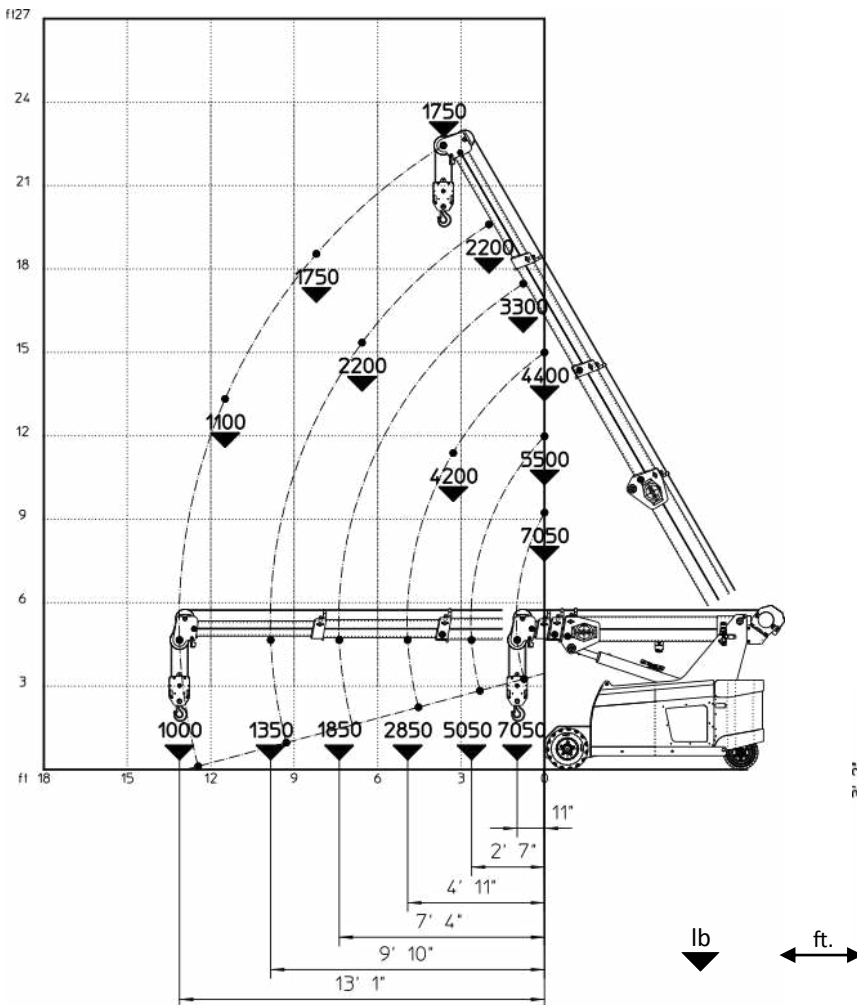
MC 32 - Max capacity 7000 lb

PICK & CARRY CRANE



Electric by battery

MC 32



lb ft.

MODEL	MC32
CRANE CLASSIFICATION ACCORDING TO UNI ISO 4301-1	A3
REFERENCE STANDARDS	2006/42 CE - 2004/108 CE I.S.P.E.S.L. DIN 15018 (1,3) - 15019 (1) Class H2 B3 ANSI B30.5 - 2007 and subsequent modifications
TRACTION	Electric
BOOM ACTIVATION	Hydraulic
POWER TYPE	Electric battery
MAX. CAPACITY (kg)	7000
TOTAL WEIGHT (kg)	6600
BOOM ANGLE TOPSIDE (°)	60
BOOM ANGLE DOWNSIDE (°)	-15

FRAME: JMG designed and manufactured, box type, torsion resistant design of high strength structural steel.

BOOM: Made of moulded and welded quality steel plate, comprised of a base unit, and three hydraulic extensions.

MOTOR: 2 Electric motors 3 kW 48 V AC

BATTERY: 48 V 480 Ah battery charging indicator.

TRANSMISSION: n. 2 wheels drive at the front side.

WHEELS: Front: 2 Superelastic 200/50-10" - Rear: 2 Superelastic 16x6x8".

BRAKING: Automatic on the rear wheels.

STEERING: Steering on the rear wheels by electric motor. Max. steering angle $\pm 90^\circ$.

TRAVEL CONTROL: Operated by radio remote console.

ELECTRIC PUMP: 5 kW 48 V AC motor.

HYDRAULIC SYSTEM: Hydraulic system powered by a silenced gear pump. Actuators controlled by electro-proportional distributor with joystick. Filter and safety valve. 22 MPa max. working pressure.

SAFETY DEVICES: Electronic load moment indicator.

OPTIONAL EQUIPMENT (at extra charge) - Hydraulic winch - High speed winch - Jib - Non-marking wheels - Hydraulic boom with manual extension - Man basket - Hydraulic chain hoist.