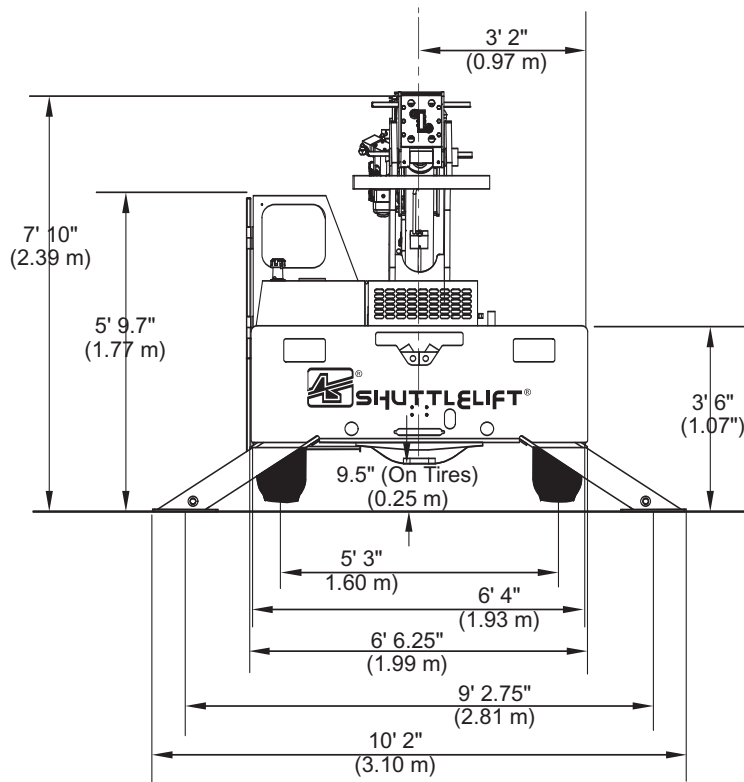
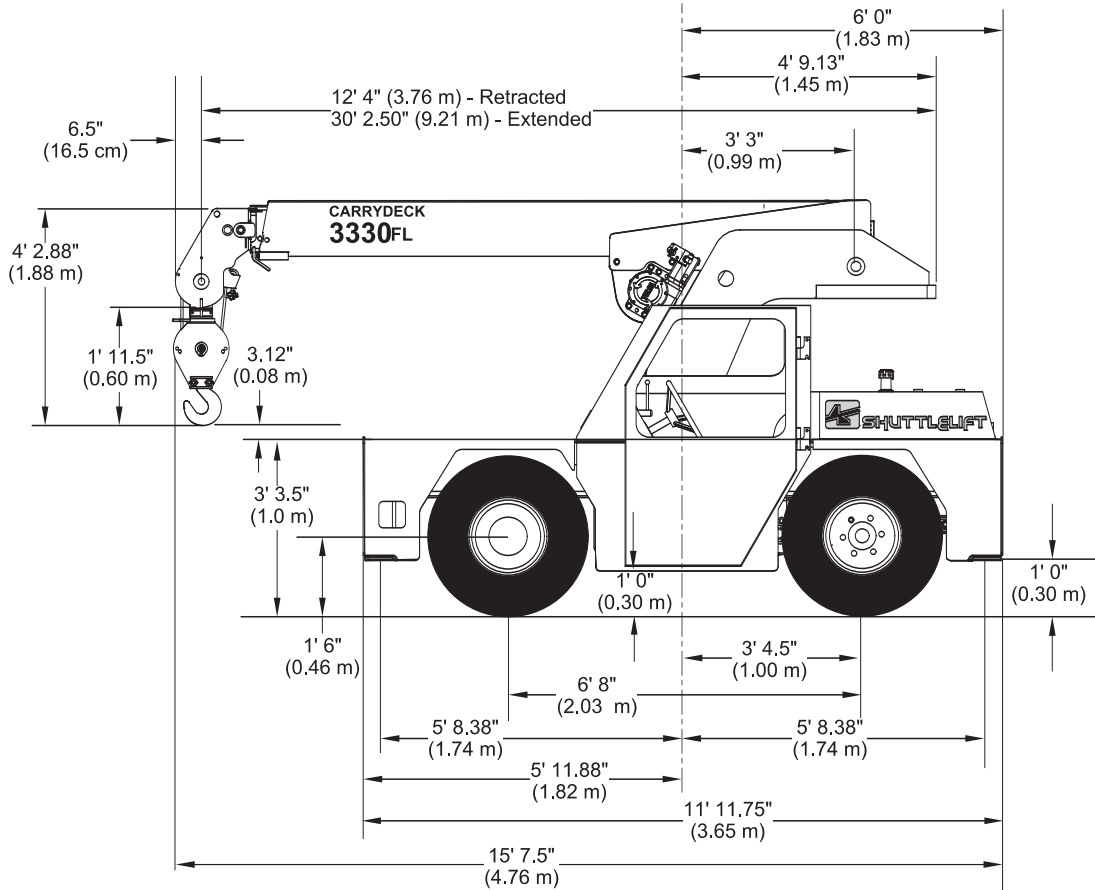


# Shuttlelift Carrydeck Crane 3330FL - Specs

## 3330FL

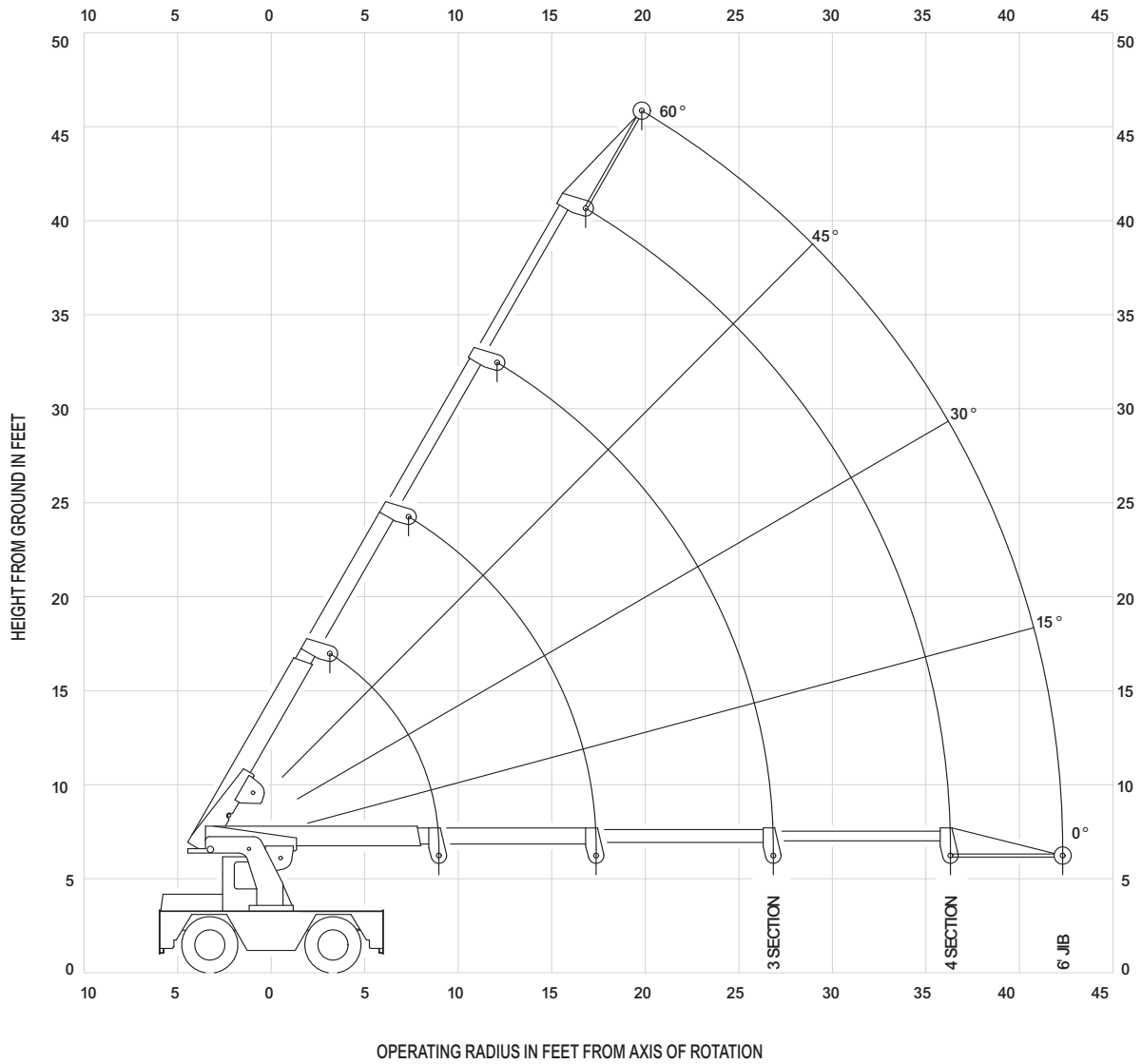


410 Stevenson Dr • Bolingbrook, IL 60440 • 630-972-9199  
16675 Van Dam Rd • South Holland, IL 60473 • 219-972-9199

[www.stevensoncrane.com](http://www.stevensoncrane.com)

# Shuttlelift Carrydeck Crane 3330FL - Specs

## 3330FL



410 Stevenson Dr • Bolingbrook, IL 60440 • 630-972-9199  
16675 Van Dam Rd • South Holland, IL 60473 • 219-972-9199

[www.stevensoncrane.com](http://www.stevensoncrane.com)

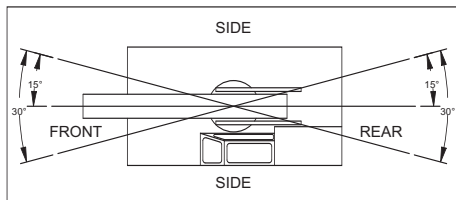
# Shuttlelift Carrydeck Crane 3330FL - Specs

## 3330FL

| OPERATING RADIUS                                                                           | 3-SECTION BOOM OR 4-SECTION BOOM WITH 4TH RETRACTED |           |           |           | OPERATING RADIUS                                                                           | 4-SECTION BOOM WITH 4TH EXTENDED |          |           |          |
|--------------------------------------------------------------------------------------------|-----------------------------------------------------|-----------|-----------|-----------|--------------------------------------------------------------------------------------------|----------------------------------|----------|-----------|----------|
|                                                                                            | ON OUTRIGGERS                                       |           | ON RUBBER |           |                                                                                            | ON OUTRIGGERS                    |          | ON RUBBER |          |
|                                                                                            | FRONT                                               | 360°      | FRONT     | 360°      |                                                                                            | FRONT                            | 360°     | FRONT     | 360°     |
| 5.0 ft                                                                                     | 17000 lbs                                           | 17000 lbs | 10000 lbs | 10000 lbs | 5.0 ft                                                                                     | -                                | -        | -         | -        |
| 6.0 ft                                                                                     | 15700 lbs                                           | 14400 lbs | 9500 lbs  | 8200 lbs  | 6.0 ft                                                                                     | -                                | -        | -         | -        |
| 8.0 ft                                                                                     | 12400 lbs                                           | 10800 lbs | 8000 lbs  | 5600 lbs  | 8.0 ft                                                                                     | 4900 lbs                         | 4900 lbs | 4900 lbs  | 4900 lbs |
| 10.0 ft                                                                                    | 10200 lbs                                           | 8500 lbs  | 5400 lbs  | 3800 lbs  | 10.0 ft                                                                                    | 4300 lbs                         | 4300 lbs | 4300 lbs  | 4250 lbs |
| 12.0 ft                                                                                    | 8500 lbs                                            | 6950 lbs  | 3800 lbs  | 2700 lbs  | 12.0 ft                                                                                    | 3800 lbs                         | 3800 lbs | 3800 lbs  | 3300 lbs |
| 14.0 ft                                                                                    | 7100 lbs                                            | 5800 lbs  | 2750 lbs  | 1950 lbs  | 14.0 ft                                                                                    | 3400 lbs                         | 3400 lbs | 3400 lbs  | 2600 lbs |
| 16.0 ft                                                                                    | 6000 lbs                                            | 4650 lbs  | 2150 lbs  | 1450 lbs  | 16.0 ft                                                                                    | 3100 lbs                         | 3100 lbs | 2900 lbs  | 2100 lbs |
| 18.0 ft                                                                                    | 5200 lbs                                            | 3800 lbs  | 1800 lbs  | 1150 lbs  | 18.0 ft                                                                                    | 2900 lbs                         | 2900 lbs | 2400 lbs  | 1700 lbs |
| 20.0 ft                                                                                    | 4450 lbs                                            | 3150 lbs  | 1500 lbs  | 950 lbs   | 20.0 ft                                                                                    | 2900 lbs                         | 2900 lbs | 1950 lbs  | 1350 lbs |
| 22.0 ft                                                                                    | 3800 lbs                                            | 2700 lbs  | 1300 lbs  | 800 lbs   | 22.0 ft                                                                                    | 2900 lbs                         | 2900 lbs | 1600 lbs  | 1050 lbs |
| 24.0 ft                                                                                    | 3300 lbs                                            | 2350 lbs  | 1100 lbs  | 650 lbs   | 24.0 ft                                                                                    | 2900 lbs                         | 2650 lbs | 1350 lbs  | 850 lbs  |
| 26.0 ft                                                                                    | 2900 lbs                                            | 2050 lbs  | 950 lbs   | 550 lbs   | 26.0 ft                                                                                    | 2900 lbs                         | 2300 lbs | 1100 lbs  | 700 lbs  |
| 27.0 ft                                                                                    | 2750 lbs                                            | 1900 lbs  | 850 lbs   | 500 lbs   | 27.0 ft                                                                                    | 2900 lbs                         | 2150 lbs | 1000 lbs  | 650 lbs  |
| 28.0 ft                                                                                    | 2525 lbs                                            | 1775 lbs  | 800 lbs   | 475 lbs   | 28.0 ft                                                                                    | 2750 lbs                         | 2000 lbs | 950 lbs   | 600 lbs  |
| 30.0 ft                                                                                    | 2275 lbs                                            | 1600 lbs  | 700 lbs   | 400 lbs   | 30.0 ft                                                                                    | 2450 lbs                         | 1800 lbs | 800 lbs   | 500 lbs  |
| 32.0 ft                                                                                    | 2025 lbs                                            | 1425 lbs  | 600 lbs   | 325 lbs   | 32.0 ft                                                                                    | 2200 lbs                         | 1600 lbs | 700 lbs   | 400 lbs  |
| 33.5 ft                                                                                    | 1875 lbs                                            | 1300 lbs  | 525 lbs   | 275 lbs   | 33.5 ft                                                                                    | 1950 lbs                         | 1400 lbs | 625 lbs   | 325 lbs  |
| 36.0 ft                                                                                    | -                                                   | -         | -         | -         | 36.0 ft                                                                                    | 1750 lbs                         | 1250 lbs | 550 lbs   | 250 lbs  |
| 38.0 ft                                                                                    | -                                                   | -         | -         | -         | 38.0 ft                                                                                    | 1625 lbs                         | 1125 lbs | 475 lbs   | 225 lbs  |
| 40.0 ft                                                                                    | -                                                   | -         | -         | -         | 40.0 ft                                                                                    | 1475 lbs                         | 1025 lbs | 400 lbs   | 200 lbs  |
| 42.0 ft                                                                                    | -                                                   | -         | -         | -         | 42.0 ft                                                                                    | 1350 lbs                         | 925 lbs  | 350 lbs   | 150 lbs  |
| 43.0 ft                                                                                    | -                                                   | -         | -         | -         | 43.0 ft                                                                                    | 1300 lbs                         | 875 lbs  | 325 lbs   | 125 lbs  |
| JIB STRUCTURAL CAPACITIES @ MAIN BOOM ANGLE (ALSO DO NOT EXCEED CAPACITIES IN ABOVE CHART) |                                                     |           |           |           | JIB STRUCTURAL CAPACITIES @ MAIN BOOM ANGLE (ALSO DO NOT EXCEED CAPACITIES IN ABOVE CHART) |                                  |          |           |          |
| 0°                                                                                         |                                                     | 15°       |           | 30°       |                                                                                            | 45°                              |          | 60°       |          |
| 2200 lbs                                                                                   |                                                     | 2400 lbs  |           | 2700 lbs  |                                                                                            | 3000 lbs                         |          | 3500 lbs  |          |
| 2000 lbs                                                                                   |                                                     | 2100 lbs  |           | 2200 lbs  |                                                                                            | 2600 lbs                         |          | 3400 lbs  |          |

SHADED AREAS ARE GOVERNED BY STRUCTURAL STRENGTH, DO NOT RELY ON TIPPING.

OPERATION OF THIS EQUIPMENT IN EXCESS OF RATING CHARTS AND DISREGARD OF INSTRUCTIONS IS DANGEROUS AND VOIDS WARRANTY.



| REDUCTION CHART |                        |                  |
|-----------------|------------------------|------------------|
|                 | FROM MAIN BOOM RATINGS | FROM JIB RATINGS |
| MAIN BLOCK      | 140 lbs                | N/A              |
| HOOK & BALL     | 100 lbs                | 100 lbs          |
| JIB, STOWED     | 0 lbs                  | N/A              |
| JIB, DEPLOYED   | 150 lbs                | 0 lbs            |

| RIGGING CHART                                                             |                              |
|---------------------------------------------------------------------------|------------------------------|
| <p>1-PART<br/>0-8500lbs</p>                                               | <p>2-PART<br/>0-17000lbs</p> |
| <p>WIRE ROPE: 1/2 inch diameter<br/>Min. breaking strength 29750 lbs.</p> |                              |

- The rated loads are the maximum lifting capacities as determined by operating radius only. Any combination of boom lengths and angles may be used to obtain operating radius. The operating radius is the horizontal distance from a projection of the axis of rotation to the supporting surface, before loading, to the center of vertical hoist line or tackle with load applied.
- The rated loads shown on outriggers do not exceed 85% of actual tipping. The rated loads shown on rubber do not exceed 75% of actual tipping. These ratings are based on freely suspended loads with the machine leveled, standing on a firm, uniform supporting surface. Practical working loads depend on supporting surface, operating radius, and other factors affecting stability. Hazardous surroundings, experience of personnel and proper handling must all be taken into account by the operator.
- The weights of all load handling devices, such as hooks, hook blocks, slings, etc., except the hoist rope, shall be considered as part of the load. See reduction chart.
- Ratings on outriggers are with outriggers fully extended.
- Ratings on rubber depend on tire capacity, condition of tires, and proper inflation pressure (100 psi). Loads on rubber may be transported at a maximum speed of 2.5 mph on a smooth hard level surface with boom retracted to the shortest length possible and centered over front.
- For operating radius not shown, use load rating of the next larger radius.
- The maximum combined total boom and deck load is 12,000 lbs. For deck loads only, the maximum load is 14,000 lbs with 10:00 x 15 tires. Tire inflation at 100 psi.
- Do not induce external side loads to boom or jib.



410 Stevenson Dr • Bolingbrook, IL 60440 • 630-972-9199  
16675 Van Dam Rd • South Holland, IL 60473 • 219-972-9199

[www.stevensoncrane.com](http://www.stevensoncrane.com)