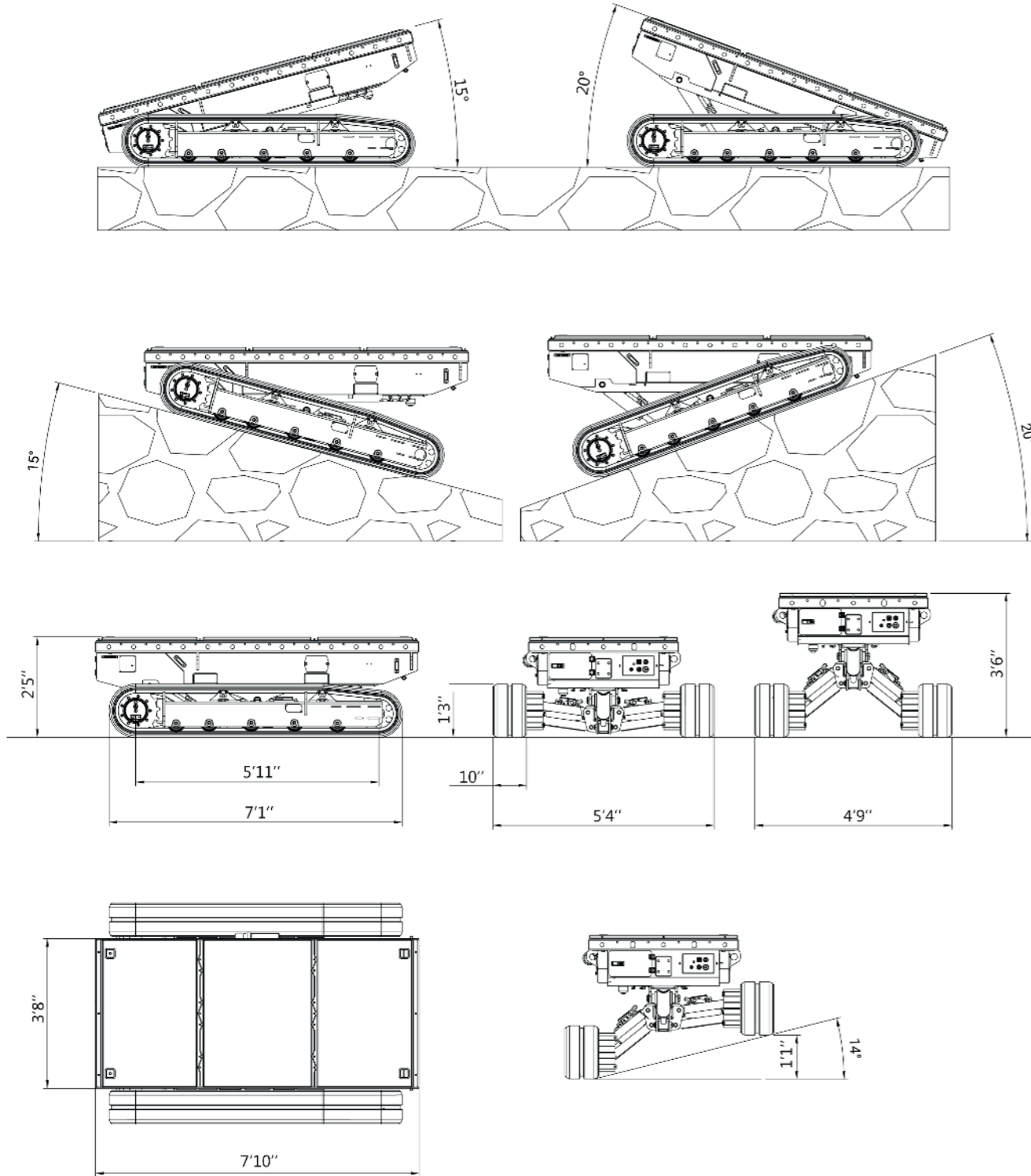


MULTI LOADER 3.0 BL

DIMENSIONS



ALL DATA REPORTED IN THIS CATALOGUE ARE NOT BINDING. ALMAC SRL RESERVES THE RIGHT TO CHANGE SPECIFICATIONS WITHOUT PRIOR NOTICE.

MULTI-LOADER

CRAWLER CARRIER



3.0 BL



FULL ELECTRIC DRIVE

Via Caduti sul Lavoro 1
46019 Viadana (MN) - ITALY
+39 0375 83 35 27
info@almac-italia.com

Rev.02

ALMACRAWLER

ALMACRAWLER

MULTI LOADER 3.0 BL

Transport capacity 6600 lb

Full electric battery powered with electric drive

Self-levelling up to 20°

Radio remote controller



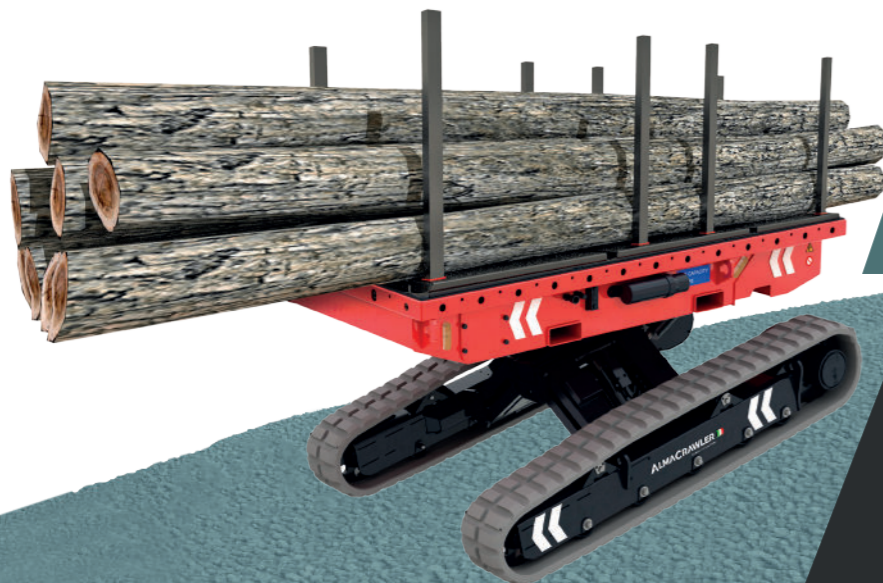
6.600 lb
max
capacity

2.6 M/h
max
speed

Autonomy	Load			Max Speed
	0 lb	3300 lb	6600 lb	
ECO	~14,760 ft	~12,460 ft	~10,490 ft	0.75 M/h
STD	~13,770 ft	~11,150 ft	~8,850 ft	1.2 M/h
POW	~12,790 ft	~9,840 ft	~7,210 ft	2.6 M/h



Radio console by AUTEK



ATS AUTOMATIC
TENSIONER
SYSTEM

ZERO MAINTENANCE

**DYNAMIC
LEVELLING**

20° LONGITUDINAL
14° LATERAL

Technical data

	ELC	LTH
Max Capacity	6600 lb	
Min Width	4'10"	
Max Width	5'5"	
Min height	2'6"	
Length	7'11"	
Dynamic levelling	Yes	
Longitudinal levelling Front	20°	
Longitudinal levelling Rear	15°	
Lateral levelling	+/- 14°	
Hydraulic commands	Proportionals	
Direction-Control System	Yes	
Easy-Drive System	Yes	
Control of inclination	Automatic	
Gradeability	25°	
Side slope	25°	
Max speed	2.6 M/h	
Power of electric motors	2 x 5,3kW	
Voltage	48 V	
Battery Charger	N°1 65A-48V (110/220V)	
Battery pack	Lead Crystal n°8 180Ah 48V	210Ah - 48V
Recharging time	3,5h - 65A	3,5h - 65A
Ingress Protection IP	IP67	
Controller	Remote radio control	
Total weight	4,180 lb	3,850 lb

Features

- Radio remote control, provided with display & double battery
- On board diagnostics
- 12V auxiliary socket
- Three different driving modes: MAIN / ED-S / DC-S
- Three power management configurations: ECO / STD / POW
- Automatic tilt alarm with speed reduction
- Auxiliary hydraulic sockets

Optional

- Non-marking tracks



Simplify and centralize the management of all after-sales activities, spare parts purchasing and warranty procedures.

**MYALMAC
CONTROL
PANEL**

Kits and options



Maxi-chassis with ramps

Chassis W = 4'3" L = 8'
Ramps W = 1'2" L = 8'2"



Electric winch

Tow hook

ALMACRAWLER