

Grove YB5500 Series

Product Guide



Features

- YB5515: 13,6 t (15 USt) capacity three-section boom with 12,5 m (41 ft) outreach
- YB5518: 16,3 t (18 USt) capacity four-section boom with 16,6 m (54 ft 6 in) outreach
- 4,6 m (15 ft) offsettable swingaway extension
- 9072 kg (20,000 lb) deck carrying capacity
- Available with diesel or dual fuel engine



Features

Outriggers

The YB5515 is equipped with single-position oblique style outriggers. The YB5518 comes equipped with two-position beam/jack style outriggers.



Cab

Both models come equipped with a **standard** open air cab shell with overhead safety glass.

An **optional** enclosed cab with the addition of front, right, and rear glass, a split (two-piece) hinged door with sliding glass. Front windshield wiper, heater and defroster fan are included.



Steering

Standard steering modes on the YB5515 is two-wheel, four-wheel, and crab steer with an option for electronic self-alignment.

Standard steering modes on the YB5518 include two-wheel, four-wheel, crab steer and electronic self-alignment.



Cummins engine

The Cummins QSB 3,3 L, Tier III, diesel comes **standard** in both models.

Horsepower rating:
YB5515: 63 kW (85 hp) at 2600 rpm.
YB5518: 73,8 kW (99 hp) at 2600 rpm.



Boom

A 12,5 m (41 ft) main boom comes **standard** on the YB5515. An **optional** fourth main boom section adds 3,4 m (11 ft) additional boom length.

The YB5518 comes **standard** with a 16,6 m (54 ft 6 in) main boom.



Contents

| | |
|---|----|
| Features | 2 |
| Specifications | 4 |
| YB5515 dimensions | 7 |
| YB5515 three-section boom working range | 8 |
| YB5515 four-section boom working range | 9 |
| YB5515 three-section boom load chart | 10 |
| YB5515 four-section boom load chart | 11 |
| YB5518 dimensions | 12 |
| YB5518 range diagram | 13 |
| YB5518 load chart | 14 |
| YB5515 three-section boom DIN/ISO range diagram | 15 |
| YB5515 four-section boom DIN/ISO range diagram | 16 |
| YB5515 three-section boom DIN/ISO load chart | 17 |
| YB5515 four-section boom DIN/ISO load chart | 18 |
| YB5518 DIN/ISO range diagram | 19 |
| YB5518 DIN/ISO load chart | 20 |
| Symbols glossary | 21 |
| Notes | 22 |

Specifications

Superstructure

Boom

YB5515: 5,6 m – 12,5 m (18 ft 6 in – 41 ft 0 in)
three-section full power boom.

Maximum tip height: 14,1 m (46 ft 3 in)

YB5518: 5,6 m – 16,6 m (18 ft 6 in – 54 ft 6 in)
four-section full power boom.

Maximum tip height: 19,0 m (62 ft 6 in)

*Optional boom

YB5515: Manual fourth main boom fly section

Maximum tip height: 17,0 m (56 ft 3 in)

*Boom extension

4,6 m (15 ft) offsettable swingaway extension

Boom nose

YB5515: Two sheave non-pivoting boom nose

YB5518: Two sheave, -3-position (0°, + 40°, + 80°)

pivoting boom nose for minimizing head space requirements. Lowers head height 0,4 m (15.9 in) when nose is pivoted fully forward.

Boom elevation

YB5515: Single double acting hydraulic cylinder with integral holding valve.

YB5518: Two double acting hydraulic cylinders with integral holding valve.

Elevation: 0° to 69° for the YB5515

0° to 80° for the YB5518

Anti-two block device

Standard anti-two block device, when activated, provides an audible warning to the crane operator and disengages all crane functions whose movement can cause two-blocking.



Load indicator (wireless LSI)

A simple effective and easy to use load indicating system used in conjunction with the anti-two block system to assist the operator in efficient operation of the unit within the limits of the load chart. The display panel displays the hook load and warns the operator when a preset load capacity is exceeded. The warning is by a flashing light on the display panel. In conjunction with the load display panel (receiver), there is a wireless transmitter and load sensing pin attached to the boom head that transmits the hook load to the display panel.



*Load moment indicator (hardwired LMI)

Digital display of boom angle, boom length, boom radius, capacity, and allows for operator input to set the limits based on load chart. Displays color coded light bar and audible alarm with function cutout if load exceeds entered parameters.



Swing

Ball bearing swing circle with 360° continuous rotation. Hydraulic driven worm gear and pinion.

Maximum speed: YB5515: 2.1 rpm

YB5518: 2.5 rpm



Hydraulic system

Four section gear pump providing a system pressure of 241,3 bars (3500 psi)

Combined flow: 333,1 Lpm (88.0 gpm)

YB5515: Six-section valve bank mounted in dash with direct mechanical linkage for low effort lever control.

YB5518: Six-section valve bank chassis mounted; operated via dash mounted, pilot pressure hydraulic joysticks.

Return line filter with full flow by-pass protection and service indicator.

151,4 L (40 gal) hydraulic reservoir with sight level gauge and steel side plating to guard against side impact damage.

Superstructure (continued)

Hoist specifications

Piston motor drive with spring applied / hyd. released brake. Equal speed power up and down.

Drum diameter: 0,25m (9.75 in)

Maximum hoist single line pull: 5443 kg (12,000 lb)

Maximum hoist single line speed:

YB5515: 38,4 m/min (126 fpm)

YB5518: 48,2 m/min (158 fpm)

Maximum permissible single line pull:

YB5515: 3402 kg (7500 lb)

(12,7 mm [1/2 in])

YB5518: 4082 kg (9000 lb)

(12,7 mm [1/2 in])

Rope length:

YB5515:

(three-section boom) 73,0 m (240 ft)

(four-section boom) 88,4 m (290 ft)

YB5518: 94,5 m (310 ft)

Carrier

Frame

High strength alloy steel constructed with integral outrigger housings; front and rear tie-down lugs. 75 ft² carrydeck size with 9072 kg (20,000 lb) carrying capacity. Deck coated with anti-skid treatment.

Outriggers

YB5515: Front and rear oblique type beams at all four corners with integral holding valves. Outrigger pads form an integral part of the beam. Outrigger pad size 222 mm x 254 mm (8.75 in x 10 in).

Maximum pad load: 162 p.s.i.

YB5518: Two-stage hydraulic telescoping beam with oblique type jack on all four corners, provides extended and down and retracted and down lifting capacities. Integral holding valves on both beam and jack.

Outrigger pad size 222 mm x 254 mm (8.75 in x 10 in).

Maximum pad load: 389 p.s.i.

Outrigger controls

YB5515: Lever controls located on dash panel and operate the beams in pairs from side to side. Level bubble located inside operators compartment.

YB5518: Two switch operation mounted on dash panel. One three-position rocker switch to select all beams / jacks, left beams / jacks only, or right beams / jacks only. Separate four-way toggle switch to activate beams out / in and jacks down / up. Level bubble indicator located inside operators compartment.

*Independent outrigger controls available as an option.

Standard engine (Tier III)

YB5515: Cummins QSB 3,3 L turbo-charged diesel rated @ 63,0 kW (85 bhp) @ 2600 rpm.

YB5518: Cummins QSB 3,3 L turbo-charged diesel rated @ 73,8 kW (99 bhp) @ 2600 rpm.

*Optional engine (2007 EPA)

G.M. 4,3 L V-6 EFI dual fuel (gasoline / L.P.) rated @ 69,3 kW (93 bhp) @ 2500 rpm.

Operators control station

Frame mounted, open air style control station with cab shell includes all crane functions, driving controls, and overhead safety glass. Other standard equipment include a durable weather resistant seat with seat belt, hourmeter, sight level bubble, and fire extinguisher. The dash panel includes engine oil pressure gauge, engine water temperature gauge, fuel gauge, transmission low oil and high temperature warning lights, low battery warning light, and brake system low pressure warning light. The LSI (load indicator) receiver is mounted to the top of the dash.

*Operators control station enclosed

Includes the standard cab shell with the addition of front, right, and rear glass, a split (two-piece) hinged door with sliding glass.

Front windshield wiper, heater and defroster fan are included.

Specifications

Carrier (continued)



Fuel tank capacity

151,4 L (40 gal) all steel construction with steel side plate to guard against side impact.



Electrical system

One 12V maintenance free battery, 820CCA @ 0°. 63 amp alternator.

I-●-I Drive

4 x 2 – Front axle drive with planetary hubs and limited slip differential.



Steer

YB5515: Two-wheel, four-wheel, and crab steer
YB5518: Two-wheel, four-wheel, and crab steer with electric self alignment.

Outside turning radius:

YB5515/5518:

Two wheel steer: 6,55 m (21 ft 6 in)

Four wheel steer: 3,76 m (12 ft 4 in)



Transmission

YB5515: I.T.L. synchromesh four-speeds forward and reverse.

YB5518: I.T.L. powershift four-speeds forward and reverse. Stalk mounted shifter on left side of steering column.



Tires

385/65R 22.5 radial traction tread pneumatic.



Brakes

Hydraulic actuated internal wet-disc service brakes acting on all four wheels. A dash mounted toggle switch activates the dry disc parking brake on the transmission output yoke with a dash warning light.



Suspension

Front: Rigid mounted to frame.

Rear: Provides 1.5° oscillation for use on semi-rough terrain. Axle lock-out must be engaged (locked) whenever picking on rubber or traveling in the crab steer mode. A warning light indicates when the axle lock-outs are engaged.



Lights

Recessed mounted, includes head, tail, rear work, stop, and turn signals.



Maximum speed

YB5515: 23,3 km/h (14.5 mph)

YB5518: 33,8 km/h (21.0 mph)



Gradeability (theoretical)

YB5515: 73%....no load

41%.... 9072 kg (20,000 lb) load

YB5518: 68%....no load

40%.... 9072 kg (20,000 lb) load

Gross vehicle weight (G.V.W.)

YB5515: 12 742 kg (28,090 lb) three-section boom

12 966 kg (28,584 lb) four-section boom

YB5518: 14 769 kg (32,560 lb)

*All weights with enclosed cab

Miscellaneous standard equipment

Two sheave, "Quick Reeve" style hookblock; YB5515: 13,6 t (15.0 USt); YB5518: 16,3 t (18.0 USt).

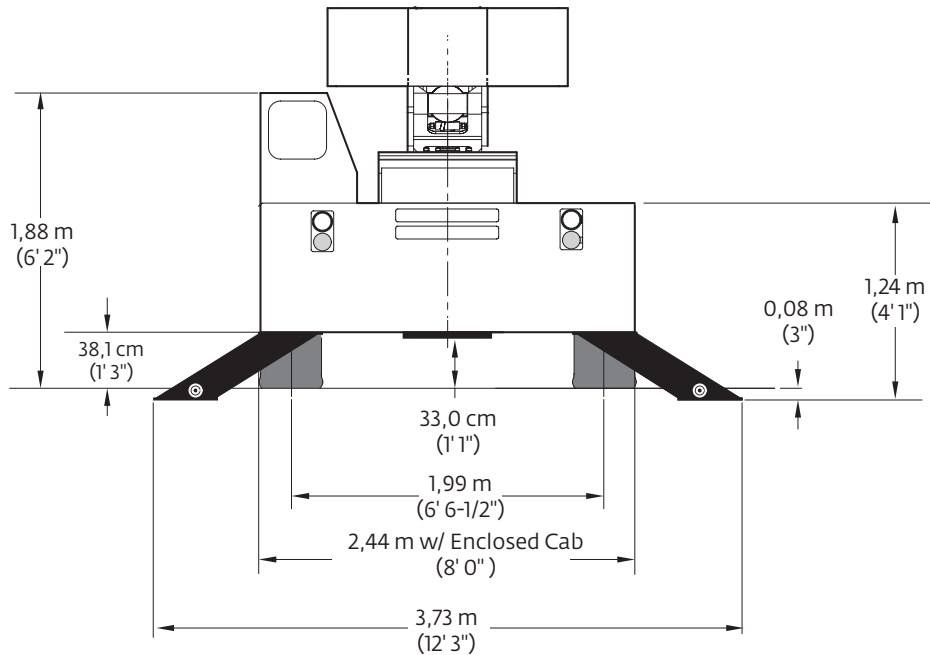
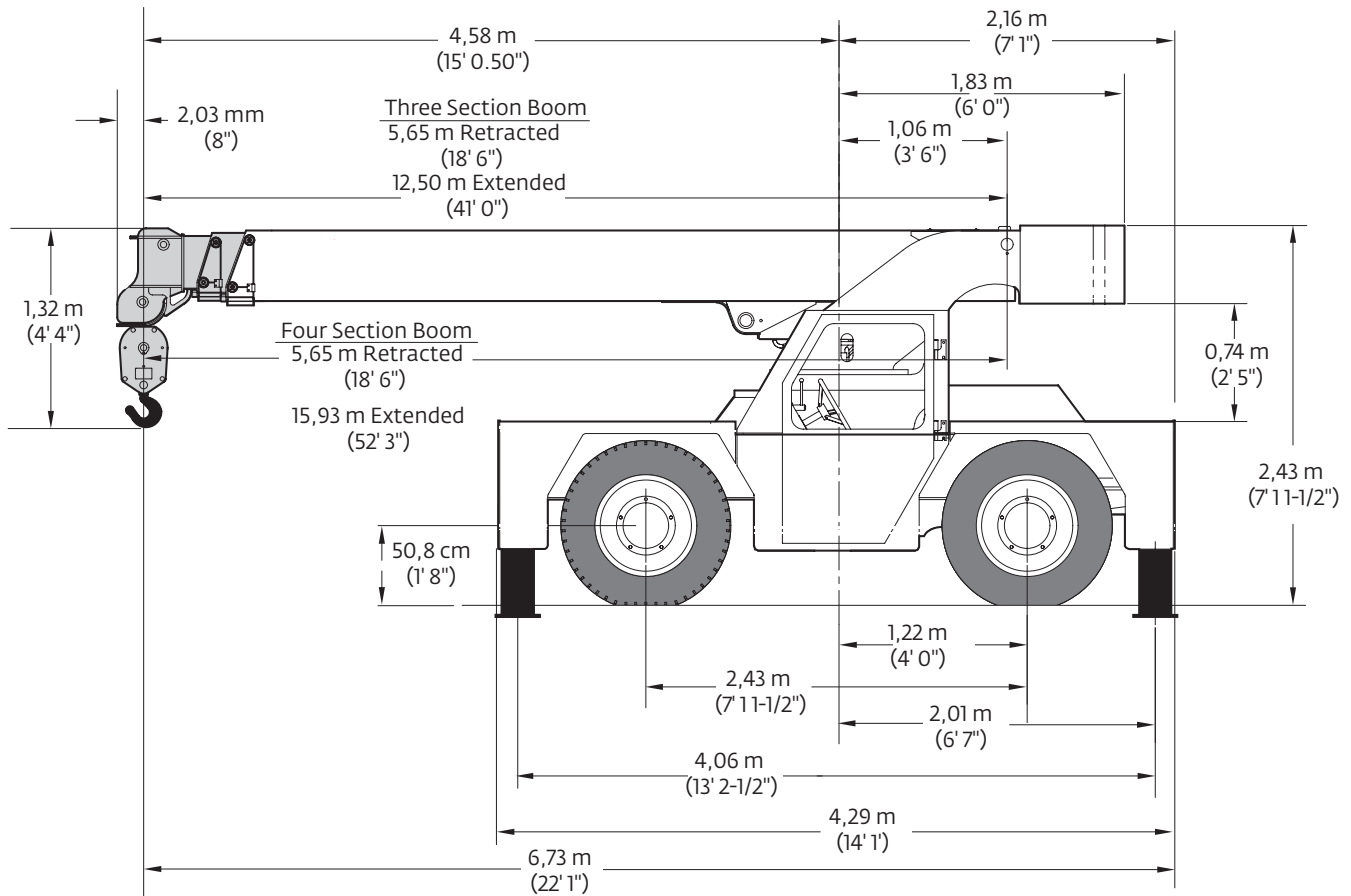
Back-up alarm

Lifting and tie down lugs

Outrigger motion alarm

Dimensions

YB5515

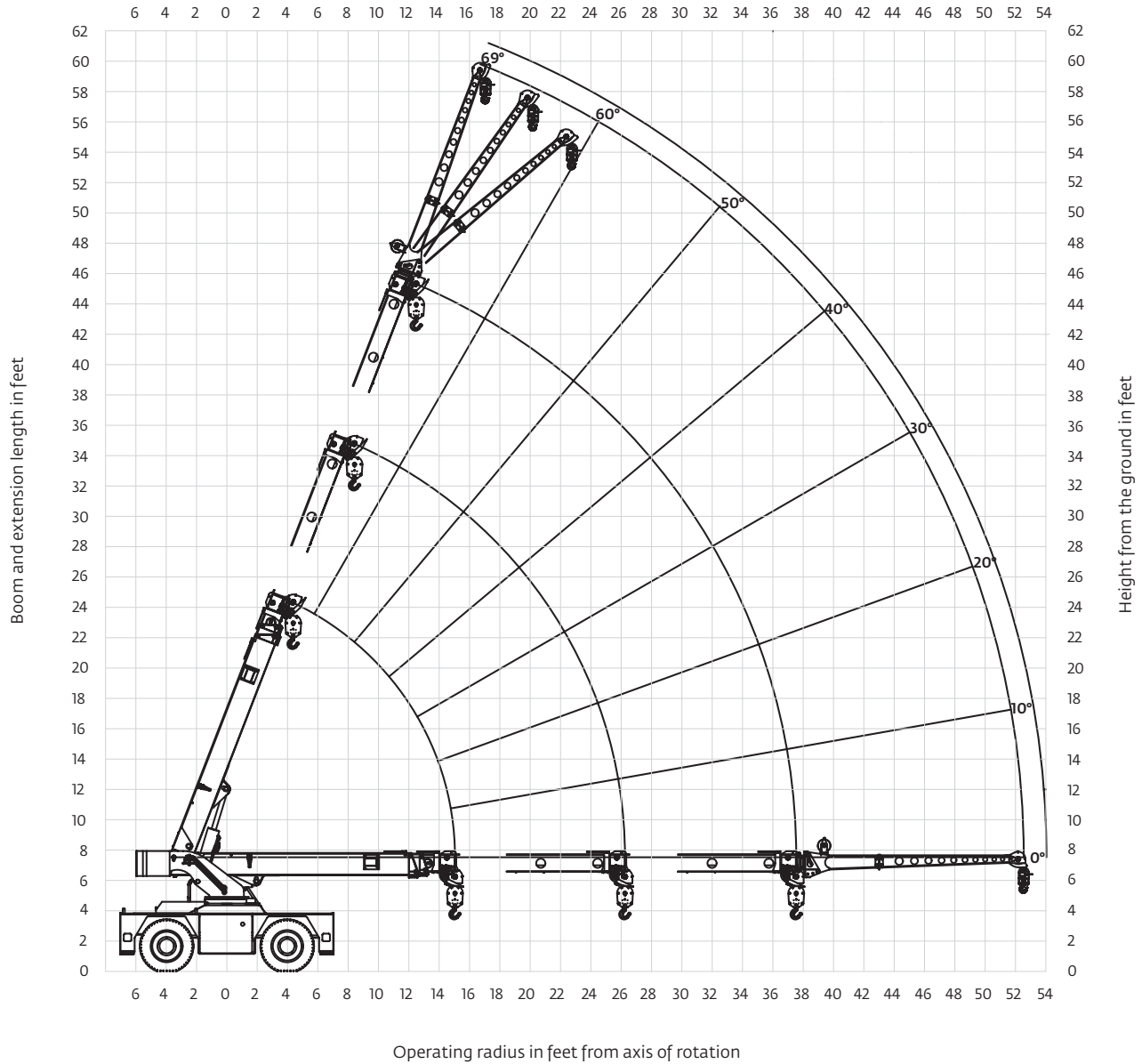


THIS CHART IS ONLY A GUIDE AND SHOULD NOT BE USED TO OPERATE THE CRANE.

The individual crane's load chart, operating instructions and other instructional plates must be read and understood prior to operating the crane.

Range diagram

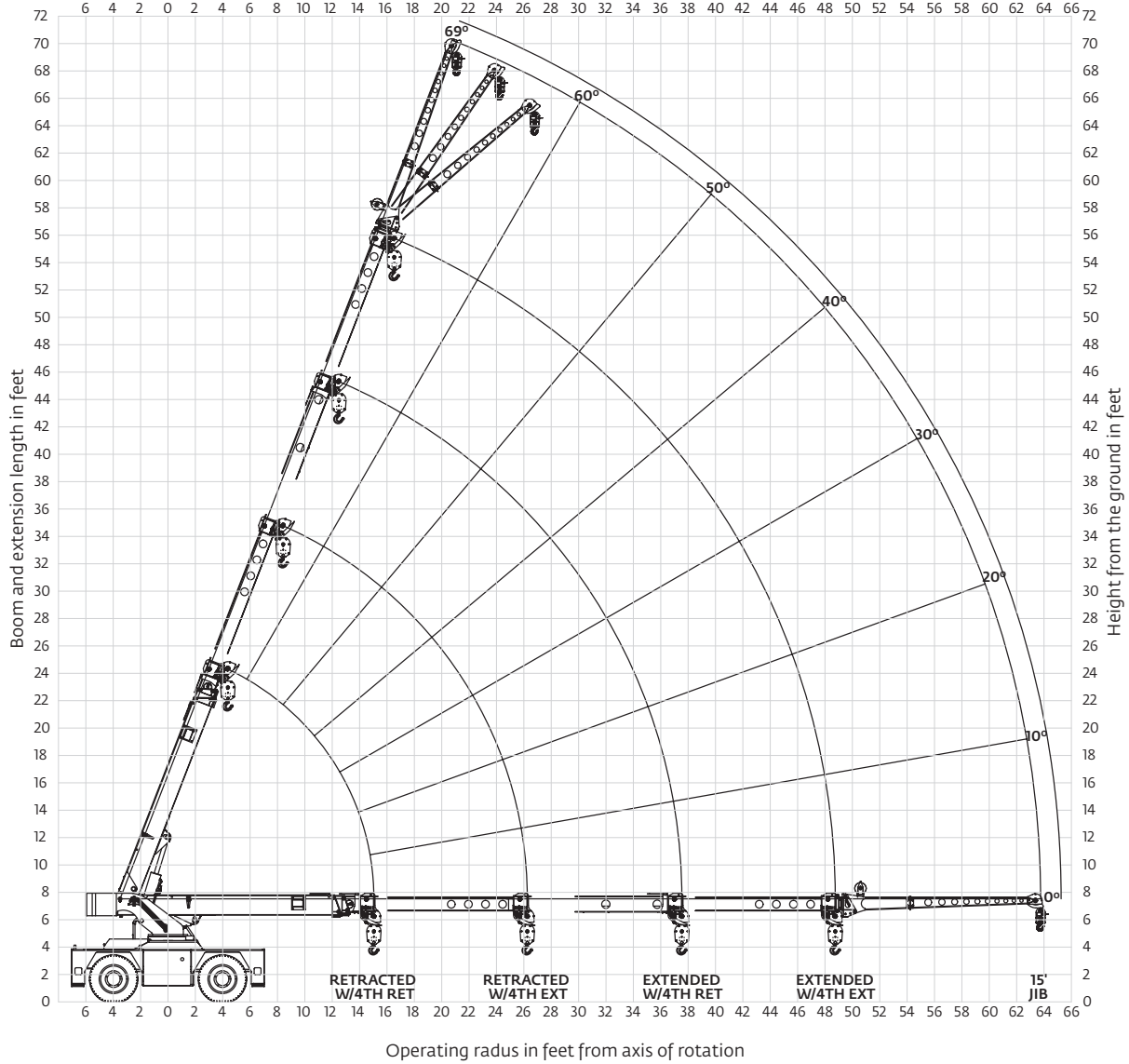
YB5515 (three-section boom)



*THIS CHART IS ONLY A GUIDE AND SHOULD NOT BE USED TO OPERATE THE CRANE.
The individual crane's load chart, operating instructions and other instructional plates must be read and understood prior to operating the crane.*

Range diagram

YB5515 (four-section boom)



THIS CHART IS ONLY A GUIDE AND SHOULD NOT BE USED TO OPERATE THE CRANE.

The individual crane's load chart, operating instructions and other instructional plates must be read and understood prior to operating the crane.

Load chart

YB5515 (three-section boom)

| | RADIUS (ft) | ON OUTRIGGERS (lb) | | ON RUBBER (lb) | |
|-----------|-------------|--------------------|--------|----------------|--------|
| | | F/R | 360° | F/R | 360° |
| MAIN BOOM | 6.0 | 30,000 | 30,000 | 17,000 | 17,000 |
| | 8.0 | 26,200 | 26,200 | 13,500 | 14,600 |
| | 10.0 | 22,300 | 22,300 | 10,700 | 10,880 |
| | 12.0 | 18,600 | 18,600 | 8710 | 8100 |
| | 14.0 | 14,800 | 14,800 | 7210 | 6000 |
| | 15.0 | 13,000 | 13,000 | 6600 | 5250 |
| | 16.0 | 12,200 | 12,200 | 6060 | 4760 |
| | 18.0 | 10,800 | 10,800 | 5120 | 3900 |
| | 20.0 | 9630 | 9180 | 4370 | 3190 |
| | 22.0 | 8640 | 7480 | 3710 | 2660 |
| | 24.0 | 7790 | 6210 | 3070 | 2200 |
| | 26.0 | 7040 | 5310 | 2620 | 1820 |
| | 28.0 | 6420 | 4740 | 2260 | 1530 |
| | 30.0 | 5700 | 4290 | 1990 | 1320 |
| | 32.0 | 5060 | 3920 | 1790 | 1160 |
| | 34.0 | 4510 | 3580 | 1610 | 1040 |
| | 36.0 | 4020 | 3260 | 1460 | 930 |
| | 37.5 | 3700 | 3060 | 1370 | 860 |
| JIB | 40.0 | 3480 | 2860 | 1270 | 800 |
| | 42.0 | 3310 | 2700 | 1190 | 740 |
| | 44.0 | 3130 | 2560 | 1120 | 690 |
| | 46.0 | 2960 | 2410 | 1040 | 640 |
| | 48.8 | 2710 | 2210 | 930 | 570 |
| | 52.5 | 2390 | 1940 | 790 | 480 |

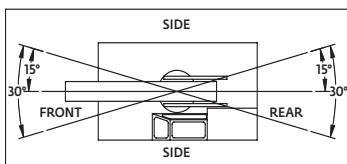
| MAIN BOOM ANGLE (deg) | JIB STRUCTURAL CAPACITIES (lb) | | |
|-----------------------|--------------------------------|------|------|
| | 0° | 15° | 30° |
| 69 | 6000 | 3900 | 2800 |
| 65 | 5000 | 3500 | 2550 |
| 60 | 4300 | 3150 | 2350 |
| 55 | 3800 | 2850 | 2200 |
| 50 | 3400 | 2600 | 2100 |
| 45 | 3050 | 2400 | 2000 |
| 40 | 2800 | 2250 | 1950 |
| 35 | 2600 | 2150 | 1900 |
| 30 | 2400 | 2080 | 1850 |
| 25 | 2300 | 2050 | - |
| 20 | 2200 | 2000 | - |
| 15 | 2100 | 1950 | - |
| 10 | 2050 | - | - |
| 5 | 2020 | - | - |
| 0 | 2000 | - | - |

NOTES:

JIB CAPACITY IS LIMITED BY BOTH STRUCTURAL CAPACITY CHART AND MAIN CAPACITY CHART.

SHADED AREAS ARE GOVERNED BY STRUCTURAL STRENGTH, DO NOT RELY ON TIPPING.

OPERATION OF THIS EQUIPMENT IN EXCESS OF RATING CHARTS AND DISREGARD OF INSTRUCTIONS IS DANGEROUS AND Voids WARRANTY.



| REDUCTION CHART | | |
|-----------------|------------------------|------------------|
| | FROM MAIN BOOM RATINGS | FROM JIB RATINGS |
| MAIN BLOCK | 210 lb | N/A |
| HOOK & BALL | 100 lb | 100 lb |
| JIB, STOWED | 0 lb | N/A |
| JIB, DEPLOYED | 700 lb | 0 lb |

| RIGGING CHART | |
|---|---------------------------------|
| <p>1-PART 0 - 7500 lb</p> | <p>4-PART 0 - 30,000 lb</p> |
| <p>WIRE ROPE: 1/2 in diameter Minimum breaking strength 26,250 lb</p> | |

1) The rated loads are the maximum lifting capacities as determined by operating radius only. Any combination of boom lengths and angles may be used to obtain operating radius. The operating radius is the horizontal distance from a projection of the axis of rotation to the supporting surface, before loading, to the center of vertical hoist line or tackle with load applied.

2) The rated loads shown on outriggers do not exceed 85% of actual tipping. The rated loads shown on rubber do not exceed 75% of actual tipping. These ratings are based on freely suspended loads with the crane leveled, standing on a firm, uniform supporting surface. Practical working loads depend on supporting surface, operating radius and other factors affecting stability. Hazardous surroundings, climatic conditions, experience of operator and proper training must be taken into account by the operator.

3) The weights of all load handling devices, such as hooks, hook blocks, slings, etc., except the hoist rope, shall be considered as part of the load. See reduction chart.

4) Ratings on outriggers are with outriggers fully extended.

5) Ratings on rubber depend on tire capacity, condition of tires and proper inflation pressure (120 psi). Loads on rubber may be transported at a maximum speed of 2.5 mph on a smooth, hard, level surface with the boom retracted to the shortest length possible and centered over the front.

6) For operating radius not shown, use load rating of next larger radius.

7) The maximum combined total boom and deck load is 16,000 lb. The maximum deck load only is 20,000 lb.

8) Do not induce any external side loads to boom or jib.

1302442YB

THIS CHART IS ONLY A GUIDE AND SHOULD NOT BE USED TO OPERATE THE CRANE.

The individual crane's load chart, operating instructions and other instructional plates must be read and understood prior to operating the crane.

YB5515 (four-section boom)

| RADIUS (ft) | 4TH RETRACTED | | | | RADIUS (ft) | 4TH EXTENDED | | | |
|----------------|--------------------|--------|----------------|--------|----------------|--------------------|--------|----------------|--------|
| | ON OUTRIGGERS (lb) | | ON RUBBER (lb) | | | ON OUTRIGGERS (lb) | | ON RUBBER (lb) | |
| | F/R | 360° | F/R | 360° | | F/R | 360° | F/R | 360° |
| 6.0 | 30,000 | 30,000 | 17,000 | 17,000 | 6.0 | - | - | - | - |
| 8.0 | 26,200 | 26,200 | 13,500 | 14,600 | 8.0 | 11,000 | 11,000 | 11,000 | 11,000 |
| 10.0 | 22,300 | 22,300 | 10,700 | 11,000 | 10.0 | 10,700 | 10,700 | 10,700 | 10,700 |
| 12.0 | 18,600 | 18,600 | 8710 | 7650 | 12.0 | 9250 | 9250 | 9250 | 9250 |
| 14.0 | 14,800 | 14,800 | 7210 | 5480 | 14.0 | 8290 | 8390 | 7760 | 7500 |
| 15.0 | 13,000 | 13,000 | 6600 | 4890 | 15.0 | 8200 | 8200 | 7150 | 6080 |
| 16.0 | 12,200 | 12,200 | 6060 | 4500 | 16.0 | 8110 | 8110 | 6610 | 5510 |
| 18.0 | 10,800 | 10,600 | 4950 | 3750 | 18.0 | 7950 | 7950 | 5680 | 4500 |
| 20.0 | 9630 | 8630 | 3980 | 3080 | 20.0 | 7820 | 7820 | 4730 | 3560 |
| 22.0 | 8640 | 7350 | 3230 | 2460 | 22.0 | 7710 | 7710 | 3980 | 3000 |
| 24.0 | 7790 | 6460 | 2720 | 1990 | 24.0 | 7630 | 7270 | 3410 | 2520 |
| 26.0 | 6800 | 5700 | 2360 | 1610 | 26.0 | 7100 | 6330 | 2940 | 2150 |
| 28.0 | 5820 | 5040 | 2100 | 1410 | 28.0 | 6590 | 5420 | 2550 | 1840 |
| 30.0 | 5020 | 4420 | 1880 | 1220 | 30.0 | 5710 | 4760 | 2190 | 1580 |
| 32.0 | 4400 | 3950 | 1650 | 1070 | 32.0 | 5180 | 4080 | 1880 | 1360 |
| 34.0 | 3930 | 3570 | 1460 | 920 | 34.0 | 4680 | 3570 | 1600 | 1160 |
| 36.0 | 3510 | 3190 | 1280 | 770 | 36.0 | 4250 | 3190 | 1370 | 990 |
| 37.5 | 3210 | 2890 | 1180 | 680 | 37.5 | 3830 | 2970 | 1240 | 880 |
| 40.0 | 2950 | 2600 | 1070 | 610 | 40.0 | 3400 | 2700 | 1070 | 740 |
| 42.0 | 2760 | 2430 | 970 | 550 | 42.0 | 3150 | 2490 | 960 | 630 |
| 44.0 | 2590 | 2250 | 890 | 500 | 44.0 | 2890 | 2300 | 870 | 540 |
| 46.0 | 2430 | 2090 | 800 | 450 | 46.0 | 2630 | 2130 | 790 | 470 |
| 48.8 | 2240 | 1850 | 680 | 380 | 48.8 | 2320 | 1930 | 710 | 370 |
| 52.5 | 2030 | 1480 | 500 | 290 | 52.5 | 2070 | 1710 | 590 | 280 |
| 58.0 | - | - | - | - | 58.0 | 1720 | 1380 | 420 | 170 |
| 63.8 | - | - | - | - | 63.8 | 1330 | 1020 | 230 | 60 |

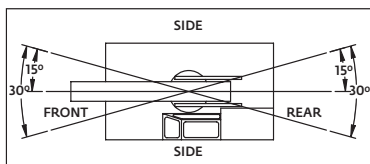
| MAIN BOOM ANGLE (deg) | JIB STRUCTURAL CAPACITIES (lb) | | | | | |
|--------------------------------|--------------------------------|------|------|--------------|------|------|
| | 4TH RETRACTED | | | 4TH EXTENDED | | |
| | 0° | 15° | 30° | 0° | 15° | 30° |
| 69 | 6000 | 3900 | 2800 | 5180 | 3900 | 2800 |
| 65 | 5000 | 3500 | 2550 | 4970 | 3500 | 2550 |
| 60 | 4300 | 3150 | 2350 | 4300 | 3150 | 2350 |
| 55 | 3800 | 2850 | 2200 | 3800 | 2850 | 2200 |
| 50 | 3400 | 2600 | 2100 | 3400 | 2600 | 2100 |
| 45 | 3050 | 2400 | 2000 | 3050 | 2400 | 2000 |
| 40 | 2800 | 2250 | 1950 | 2800 | 2250 | 1950 |
| 35 | 2600 | 2150 | 1900 | 2600 | 2150 | 1900 |
| 30 | 2400 | 2080 | 1850 | 2400 | 2080 | 1850 |
| 25 | 2300 | 2050 | - | 2300 | 2050 | - |
| 20 | 2200 | 2000 | - | 2200 | 2000 | - |
| 15 | 2100 | 1950 | - | 2100 | 1950 | - |
| 10 | 2050 | - | - | 2050 | - | - |
| 5 | 2020 | - | - | 2020 | - | - |
| 0 | 2000 | - | - | 2000 | - | - |

NOTES:

JIB CAPACITY IS LIMITED BY BOTH STRUCTURAL CAPACITY CHART AND MAIN CAPACITY CHART.

SHADED AREAS ARE GOVERNED BY STRUCTURAL STRENGTH, DO NOT RELY ON TIPPING.

OPERATION OF THIS EQUIPMENT IN EXCESS OF RATING CHARTS AND DISREGARD OF INSTRUCTIONS IS DANGEROUS AND VOIDS WARRANTY.



| REDUCTION CHART | | |
|-----------------|------------------------------|------------------------|
| | FROM MAIN BOOM RATINGS | FROM JIB RATINGS |
| MAIN BLOCK | 210 lb | N/A |
| HOOK & BALL | 100 lb | 100 lb |
| JIB, STOWED | 0 lb | N/A |
| JIB, DEPLOYED | 700 lb | 0 lb |

| RIGGING CHART | |
|--|---------------------------------|
| <p>1-PART 0 - 7500 lb</p> | <p>4-PART 0 - 30,000 lb</p> |
| <p>WIRE ROPE: 1/2 inch diameter Min. breaking strength 26,250 lb</p> | |

- The rated loads are the maximum lifting capacities as determined by operating radius only. Any combination of boom lengths and angles may be used to obtain operating radius. The operating radius is the horizontal distance from a projection of the axis of rotation to the supporting surface, before loading, to the center of vertical hoist line or tackle with load applied.
- The rated loads shown on outriggers do not exceed 85% of actual tipping. The rated loads shown on rubber do not exceed 75% of actual tipping. These ratings are based on freely suspended loads with the crane leveled, standing on a firm, uniform supporting surface. Practical working loads depend on supporting surface, operating radius and other factors affecting stability. Hazardous surroundings, climatic conditions, experience of operator and proper training must be taken into account by the operator.
- The weights of all load handling devices, such as hooks, hook blocks, slings, etc., except the hoist rope, shall be considered as part of the load. See reduction chart.
- Ratings on outriggers are with outriggers fully extended.
- Ratings on rubber depend on tire capacity, condition of tires and proper inflation pressure (120 psi). Loads on rubber may be transported at a maximum speed of 2.5 mph on a smooth, hard, level surface with the boom retracted to the shortest length possible and centered over the front.
- For operating radius not shown, use load rating of next larger radius.
- The maximum combined total boom and deck load is 16,000 lb. The maximum deck load only is 20,000 lb.
- Do not induce any external side loads to boom or jib.

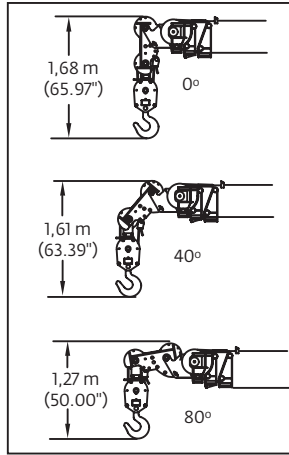
1302395YB

THIS CHART IS ONLY A GUIDE AND SHOULD NOT BE USED TO OPERATE THE CRANE.

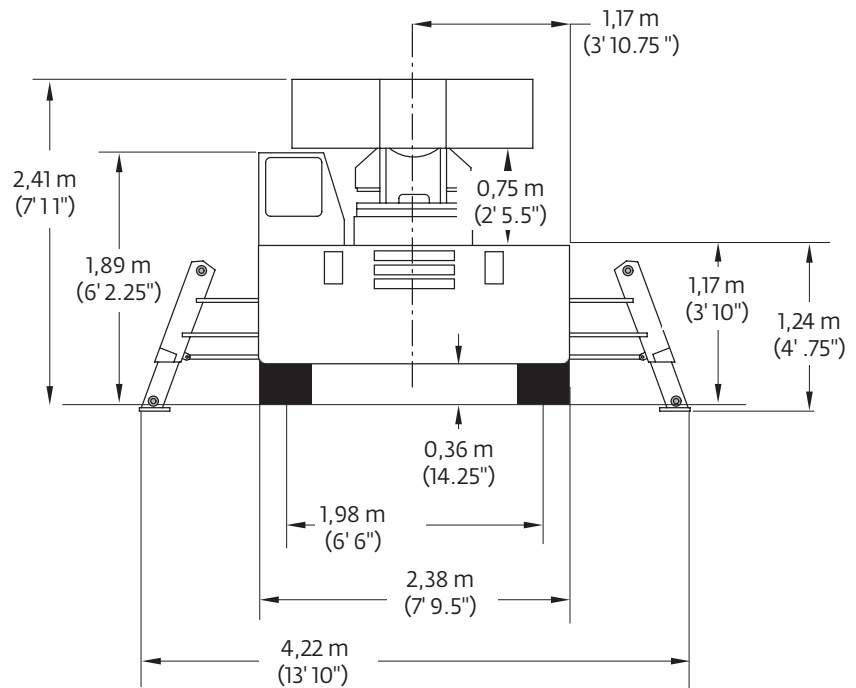
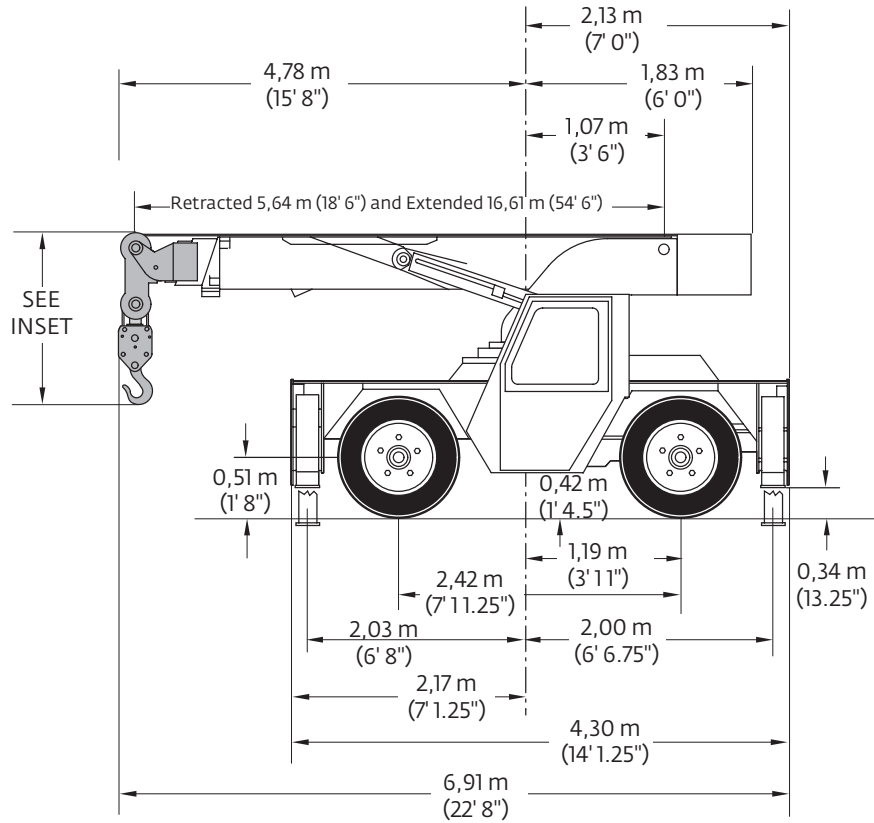
The individual crane's load chart, operating instructions and other instructional plates must be read and understood prior to operating the crane.

Dimensions

YB5518



Dimensions are with the boom horizontal and the anti-two block bottomed.

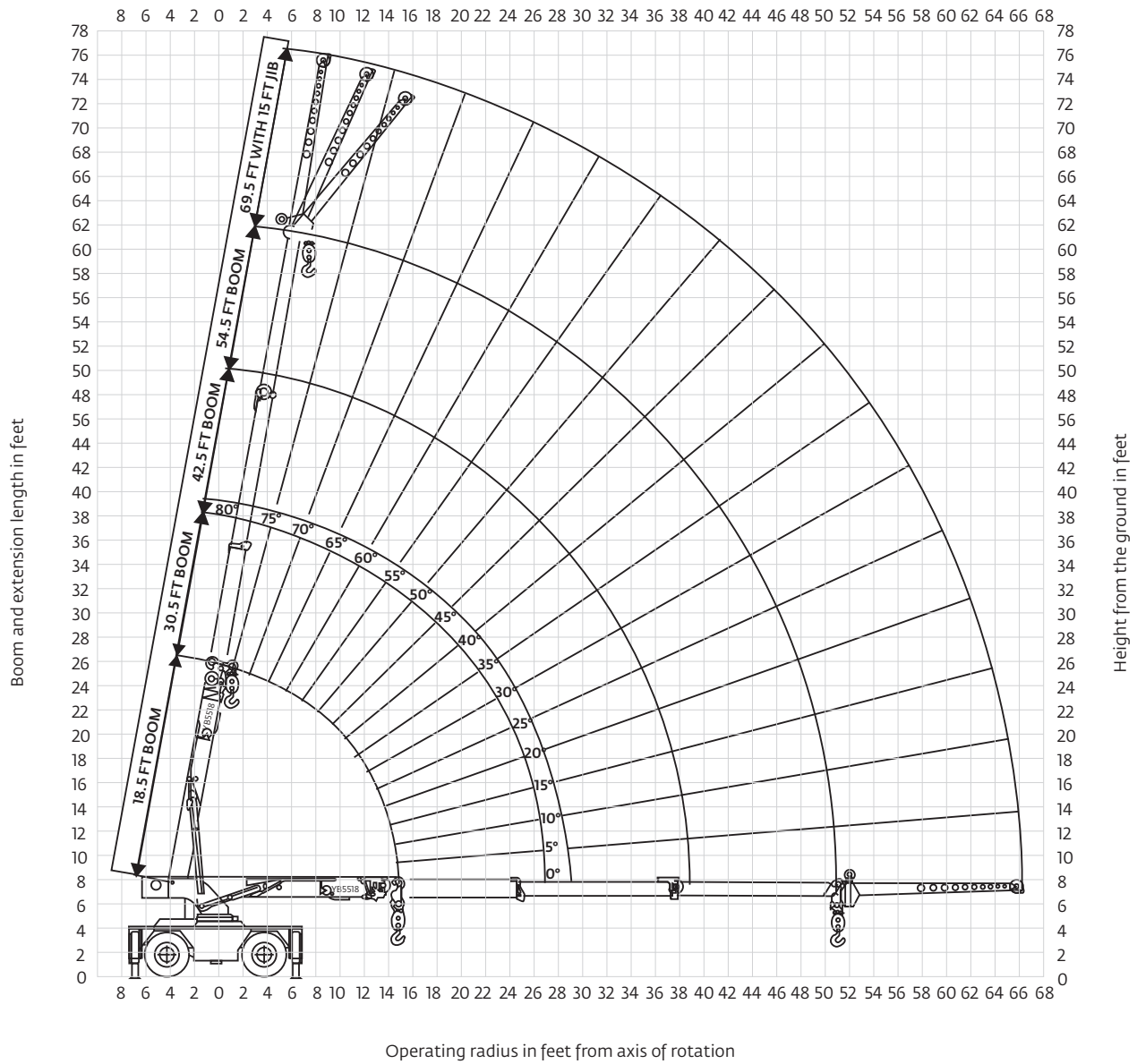


THIS CHART IS ONLY A GUIDE AND SHOULD NOT BE USED TO OPERATE THE CRANE.

The individual crane's load chart, operating instructions and other instructional plates must be read and understood prior to operating the crane.

Range diagram

YB5518



THIS CHART IS ONLY A GUIDE AND SHOULD NOT BE USED TO OPERATE THE CRANE.

The individual crane's load chart, operating instructions and other instructional plates must be read and understood prior to operating the crane.

Load chart

YB5518

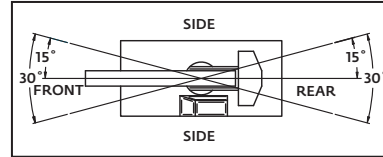
| MAIN BOOM LOAD RATINGS ON OUTRIGGERS Extended and Down 360° or Retracted and Down Front/Rear | | | | | | | | |
|---|------------------------|-----------------------|------------------------|-----------------------|------------------------|-----------------------|------------------------|-----------------------|
| Radius (ft) | 18.5 ft BOOM | | 30.5 ft BOOM | | 42.5 ft BOOM | | 54.5 ft BOOM | |
| | Boom Angle (deg) | Rated Load (lb) | Boom Angle (deg) | Rated Load (lb) | Boom Angle (deg) | Rated Load (lb) | Boom Angle (deg) | Rated Load (lb) |
| 6 | 64 | 36,000 | 75 | 24,500 | 79 | 23,700 | - | - |
| 8 | 57 | 31,500 | 71 | 24,500 | 77 | 23,000 | 80 | 17,400 |
| 10 | 49 | 24,000 | 67 | 24,000 | 74 | 21,500 | 77 | 15,800 |
| 12 | 39 | 19,500 | 63 | 20,000 | 71 | 19,700 | 75 | 14,000 |
| 14 | 25 | 16,200 | 58 | 16,800 | 68 | 17,000 | 73 | 12,600 |
| 15.0 | 0 | 15,000 | 56 | 15,500 | 66 | 15,800 | 72 | 12,000 |
| 16 | - | - | 53 | 14,400 | 65 | 14,600 | 71 | 11,400 |
| 18 | - | - | 48 | 12,500 | 62 | 12,700 | 69 | 10,500 |
| 20 | - | - | 43 | 11,000 | 49 | 11,200 | 66 | 9,600 |
| 22 | - | - | 37 | 9,800 | 55 | 10,000 | 64 | 8,900 |
| 24 | - | - | 29 | 8,700 | 52 | 9,000 | 61 | 8,300 |
| 26 | - | - | 18 | 7,800 | 48 | 8,100 | 59 | 7,700 |
| 27.0 | - | - | 0 | 7,400 | 6 | 7,700 | 58 | 7,500 |
| 28 | - | - | - | - | 44 | 7,300 | 56 | 7,200 |
| 30 | - | - | - | - | 40 | 6,500 | 54 | 6,700 |
| 32 | - | - | - | - | 36 | 5,700 | 51 | 6,000 |
| 34 | - | - | - | - | 30 | 5,100 | 48 | 5,400 |
| 36 | - | - | - | - | 24 | 4,500 | 45 | 4,800 |
| 38 | - | - | - | - | 15 | 4,000 | 42 | 4,300 |
| 39.0 | - | - | - | - | 0 | 3,900 | 41 | 4,000 |
| 40 | - | - | - | - | - | - | 39 | 3,800 |
| 42 | - | - | - | - | - | - | 35 | 3,400 |
| 44 | - | - | - | - | - | - | 31 | 3,100 |
| 46 | - | - | - | - | - | - | 27 | 2,900 |
| 48 | - | - | - | - | - | - | 21 | 2,700 |
| 51.0 | - | - | - | - | - | - | 0 | 2,400 |

| MAIN BOOM ON RUBBER | | |
|------------------------|-------------------------|------------------------|
| Radius (ft) | Any Boom Length | |
| | Front Rating (lb) | 360° Rating (lb) |
| 6 | 16,000 | 10,900 |
| 8 | 13,000 | 8700 |
| 10 | 11,000 | 7400 |
| 12 | 9100 | 6400 |
| 14 | 7800 | 5300 |
| 15.0 | 7100 | 5300 |
| 16 | 6500 | 4900 |
| 18 | 5600 | 4200 |
| 20 | 4800 | 3500 |
| 22 | 4200 | 3000 |
| 24 | 3600 | 2500 |
| 26 | 3150 | 2200 |
| 27.0 | 2950 | 2050 |
| 28 | 2800 | 1900 |
| 30 | 2450 | 1650 |
| 32 | 2100 | 1400 |
| 34 | 1900 | 1200 |
| 36 | 1750 | 1000 |
| 38 | 1525 | 850 |
| 39.0 | 1450 | 775 |
| 40 | 1350 | 725 |
| 42 | 1150 | 625 |
| 44 | 1050 | 525 |
| 46 | 950 | 425 |
| 48 | 850 | 300 |
| 51.0 | 700 | 200 |

NOTES:
JIB CAPACITY IS LIMITED BY BOTH STRUCTURAL
CAPACITY CHART AND MAIN CAPACITY CHART.

SHADED AREAS ARE GOVERNED BY STRUCTURAL
STRENGTH, DO NOT RELY ON TIPPING.

OPERATION OF THIS EQUIPMENT IN EXCESS OF
RATING CHARTS AND DISREGARD OF INSTRUCTIONS
IS DANGEROUS AND VOIDS WARRANTY.



| RATING REDUCTIONS FOR LOAD HANDLING DEVICES INSTALLED (lb) | | |
|---|----------------|----------------|
| | FROM MAIN BOOM | FROM JIB |
| MAIN BLOCK | 230 | NOT APPLICABLE |
| HOOK & BALL | 100 | 100 |
| JIB STOWED | NO REDUCTION | NOT APPLICABLE |
| JIB DEPLOYED | 700 | NO REDUCTION |

| MAIN BOOM LOAD RATINGS ON OUTRIGGERS Retracted and Down 360° | | | | | | | | |
|---|------------------------|-----------------------|------------------------|-----------------------|------------------------|-----------------------|------------------------|-----------------------|
| Radius (ft) | 18.5 ft BOOM | | 30.5 ft BOOM | | 42.5 ft BOOM | | 54.5 ft BOOM | |
| | Boom Angle (deg) | Rated Load (lb) | Boom Angle (deg) | Rated Load (lb) | Boom Angle (deg) | Rated Load (lb) | Boom Angle (deg) | Rated Load (lb) |
| 6 | 64 | 36,000 | 75 | 24,500 | 79 | 23,700 | - | - |
| 8 | 57 | 29,000 | 71 | 24,500 | 77 | 23,000 | 80 | 17,400 |
| 10 | 49 | 16,000 | 67 | 20,600 | 74 | 20,000 | 77 | 15,800 |
| 12 | 39 | 11,400 | 63 | 12,900 | 71 | 12,800 | 75 | 13,000 |
| 14 | 25 | 8900 | 58 | 9900 | 68 | 10,200 | 73 | 10,600 |
| 15.0 | 0 | 8000 | 56 | 8900 | 66 | 9300 | 72 | 9500 |
| 16 | - | - | 53 | 8100 | 65 | 8500 | 71 | 8500 |
| 18 | - | - | 48 | 6800 | 62 | 7200 | 69 | 7200 |
| 20 | - | - | 43 | 5900 | 49 | 6200 | 66 | 6100 |
| 22 | - | - | 37 | 5000 | 55 | 5200 | 64 | 5300 |
| 24 | - | - | 29 | 4100 | 52 | 4500 | 61 | 4500 |
| 26 | - | - | 18 | 3600 | 48 | 3800 | 59 | 3900 |
| 27.0 | - | - | 0 | 3400 | 6 | 3600 | 58 | 3600 |
| 28 | - | - | - | - | 44 | 3300 | 56 | 3300 |
| 30 | - | - | - | - | 40 | 2900 | 54 | 2800 |
| 32 | - | - | - | - | 36 | 2500 | 51 | 2500 |
| 34 | - | - | - | - | 30 | 2200 | 48 | 2200 |
| 36 | - | - | - | - | 24 | 1900 | 45 | 2000 |
| 38 | - | - | - | - | 15 | 1700 | 42 | 1800 |
| 39.0 | - | - | - | - | 0 | 1600 | 41 | 1700 |
| 40 | - | - | - | - | - | - | 39 | 1600 |
| 42 | - | - | - | - | - | - | 35 | 1400 |
| 44 | - | - | - | - | - | - | 31 | 1200 |
| 46 | - | - | - | - | - | - | 27 | 1000 |
| 48 | - | - | - | - | - | - | 21 | 900 |
| 51.0 | - | - | - | - | - | - | 0 | 700 |

- The rated loads are the maximum lift capacities as determined by operating radius, boom length and boom angle. The operating radius is the horizontal distance from a projection of the axis of rotation to the supporting surface, before loading, to the center of vertical hoist line or tackle with load applied.
- The rated loads shown on outriggers do not exceed 85% of actual tipping. The rated loads shown on rubber do not exceed 75% of actual tipping. Retracted outrigger rated loads meet ASME B30.5-2004. These ratings are based on freely uniform supporting surface. Practical working loads depend on stability. Hazardous surroundings, climatic conditions, experience account by the operator.
- The weights of all load handling devices, such as hooks, hook blocks, slings, etc, except the hoist rope, shall be considered as part of the load. See above.
- Ratings on outriggers are for either outriggers fully extended and down or fully retracted and down. Ratings for outriggers fully retracted and down will apply for any intermediate outrigger setting.
- Ratings on rubber depend on tire capacity, condition of tires and proper inflation pressure (120 psi). Loads on rubber may be transported at a maximum speed of 2.5 mph on a smooth hard level surface with boom retracted to the shortest length possible and centered over front. Do not use jib with crane on rubber.
- For operating radius not shown, use load rating of next larger radius.
- The maximum combined total boom and deck load is 16,000 lb the maximum deck load only is 20,000 lb.
- Do not induce any external side loads to boom or jib.

80016678

MAXIMUM PERMISSIBLE SINGLE LINE PULL = 9000 LB

WIRE ROPE: 13 mm Diameter 8 X 25 Galvanized
Minimum required breaking strength = 37,200 lb

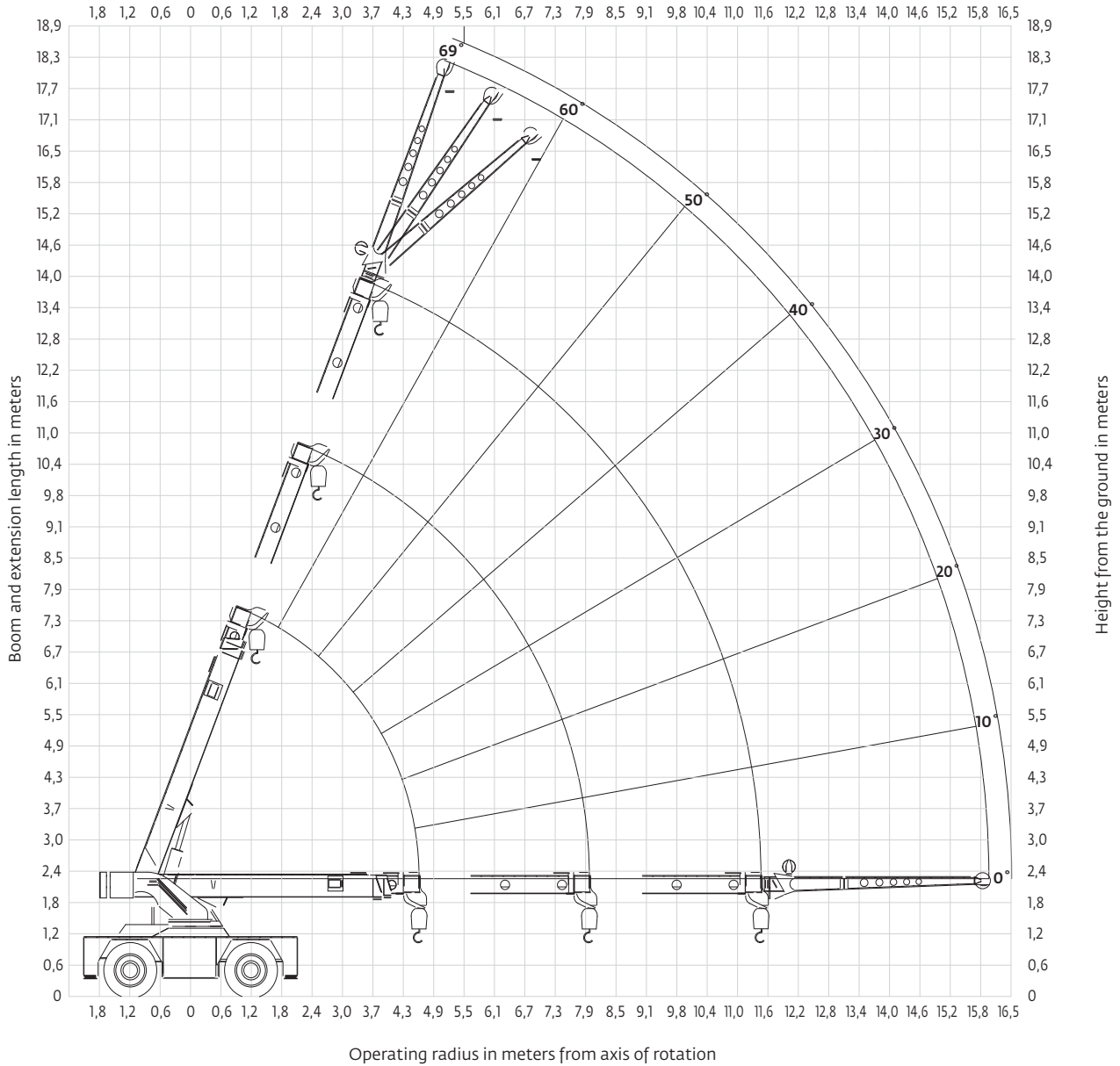
| 15 FT JIB CAPACITIES ON EXTENDED OUTRIGGERS | | | | | |
|---|----------------------------|----------------------------|----------------------------|----------------------------|-----------------------|
| Main Boom Angle (deg) | Jib Offset Angle | | | | |
| | 0° | | 15° | | 30° |
| | To 42.5 ft Main Boom | To 54.5 ft Main Boom | To 42.5 ft Main Boom | To 54.5 ft Main Boom | Any Boom Length |
| 80 | - | - | 5000 | 5000 | 3500 |
| 75 | 7500 | - | 4400 | 4400 | 3100 |
| 70 | 6100 | - | 3900 | 3900 | 2800 |
| 65 | 5000 | 4600 | 3500 | 3500 | 2550 |
| 60 | 4300 | 3800 | 3150 | 3150 | 2350 |
| 55 | 3800 | 3300 | 2850 | 2850 | 2200 |
| 50 | 3400 | 2900 | 2600 | 2600 | 2100 |
| 45 | 3050 | 2600 | 2400 | 2400 | 2000 |
| 40 | 2800 | 2400 | 2250 | 2250 | 1950 |
| 35 | 2600 | 2150 | 2150 | 2050 | 1900 |
| 30 | 2400 | 1930 | 2080 | 1850 | 1830 |
| 25 | 2300 | 1750 | 2050 | 1720 | - |
| 20 | 2200 | 1600 | 2000 | 1590 | - |
| 15 | 2100 | 1500 | 1950 | 1520 | - |
| 10 | 2050 | 1460 | - | - | - |
| 5 | 2020 | 1450 | - | - | - |
| 0 | 2000 | 1440 | - | - | - |

THIS CHART IS ONLY A GUIDE AND SHOULD NOT BE USED TO OPERATE THE CRANE.

The individual crane's load chart, operating instructions and other instructional plates must be read and understood prior to operating the crane.

DIN/ISO range diagram

YB5515 (three-section boom)

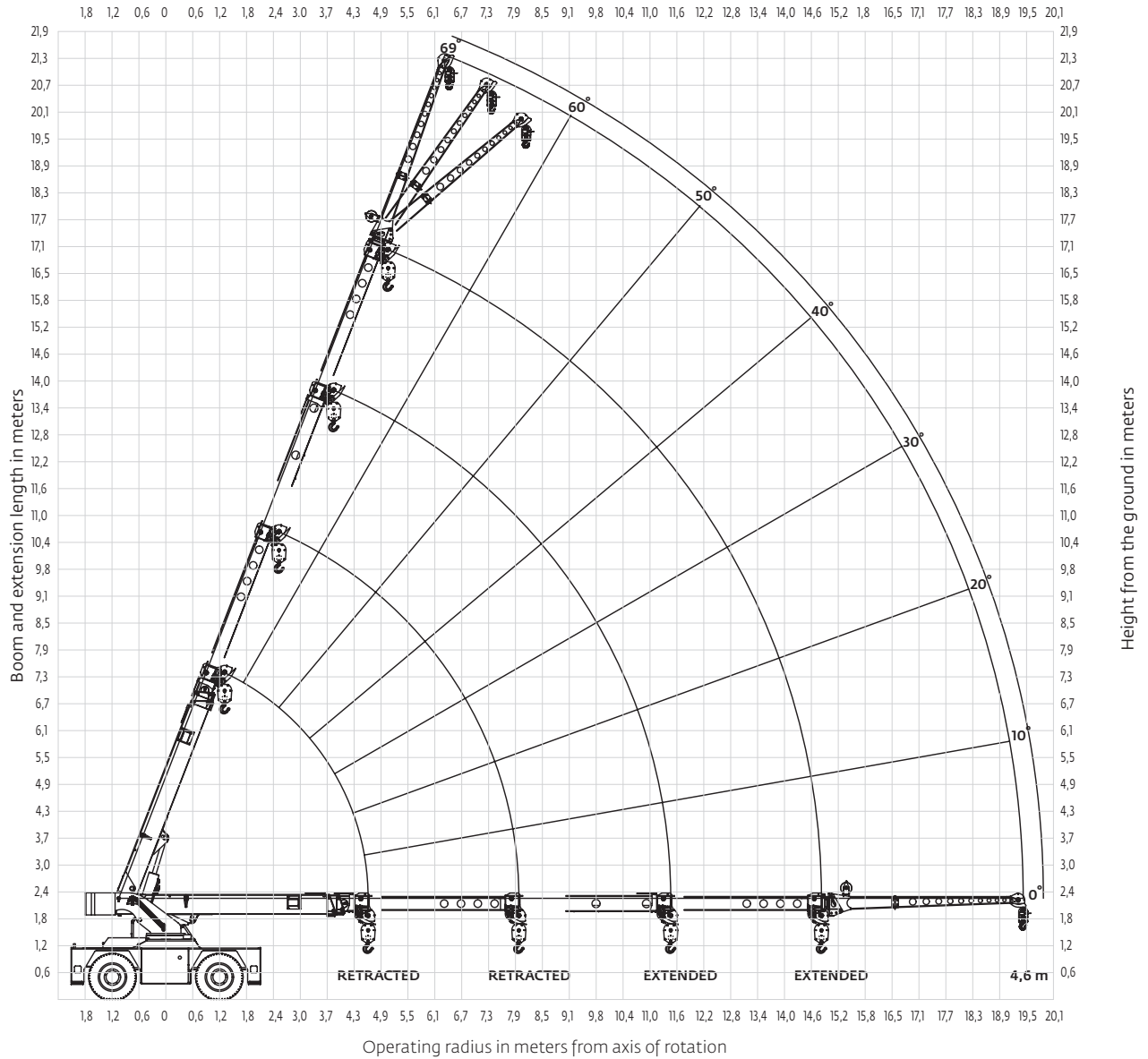


THIS CHART IS ONLY A GUIDE AND SHOULD NOT BE USED TO OPERATE THE CRANE.

The individual crane's load chart, operating instructions and other instructional plates must be read and understood prior to operating the crane.

DIN/ISO range diagram

YB5515 (four-section boom)



THIS CHART IS ONLY A GUIDE AND SHOULD NOT BE USED TO OPERATE THE CRANE.

The individual crane's load chart, operating instructions and other instructional plates must be read and understood prior to operating the crane.

YB5515 (three-section boom)

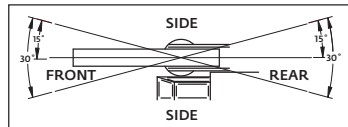
| | RADIUS (m) | ON OUTRIGGERS (kg) | | ON RUBBER (kg) | | MAIN BOOM ANGLE (deg) | JIB STRUCTURAL CAPACITIES (kg) | | |
|-----------|---------------|--------------------|--------|----------------|------|--------------------------------|-----------------------------------|------|------|
| | | F/R | 360° | F/R | 360° | | 0° | 15° | 30° |
| MAIN BOOM | 1,8 | 13 610 | 13 610 | 7710 | 7710 | 69 | 2720 | 1770 | 1270 |
| | 2,4 | 11 880 | 11 880 | 6120 | 6620 | | | | |
| | 3,0 | 10 120 | 10 120 | 4850 | 4860 | | | | |
| | 3,7 | 8440 | 8440 | 3950 | 3600 | | | | |
| | 4,3 | 6710 | 6710 | 3270 | 2650 | | | | |
| | 4,6 | 5900 | 5900 | 2990 | 2310 | | | | |
| | 4,9 | 5540 | 5530 | 2750 | 2090 | | | | |
| | 5,5 | 4900 | 4750 | 2320 | 1700 | | | | |
| | 6,1 | 4370 | 3840 | 1940 | 1370 | | | | |
| | 6,7 | 3920 | 3120 | 1610 | 1130 | | | | |
| | 7,3 | 3460 | 2570 | 1320 | 920 | | | | |
| | 7,9 | 3010 | 2190 | 1110 | 750 | | | | |
| | 8,5 | 2660 | 1950 | 950 | 620 | | | | |
| | 9,1 | 2350 | 1750 | 830 | 530 | | | | |
| | 9,8 | 2080 | 1600 | 740 | 450 | | | | |
| | 10,4 | 1850 | 1450 | 660 | 400 | | | | |
| | 11,0 | 1640 | 1310 | 590 | 350 | | | | |
| | 11,4 | 1500 | 1230 | 550 | 320 | | | | |
| JIB | 12,2 | 1410 | 1140 | 500 | 290 | 65 | 2270 | 1590 | 1160 |
| | 12,8 | 1330 | 1080 | 470 | 260 | | | | |
| | 13,4 | 1260 | 1010 | 430 | 240 | | | | |
| | 14,0 | 1190 | 950 | 400 | 220 | | | | |
| | 14,9 | 1080 | 870 | 350 | 190 | | | | |
| | 16,0 | 940 | 750 | 280 | 140 | | | | |

NOTES:

JIB CAPACITY IS LIMITED BY BOTH STRUCTURAL CAPACITY CHART AND MAIN CAPACITY CHART.

SHADED AREAS ARE GOVERNED BY STRUCTURAL STRENGTH, DO NOT RELY ON TIPPING.

OPERATION OF THIS EQUIPMENT IN EXCESS OF RATING CHARTS AND DISREGARD OF INSTRUCTIONS IS DANGEROUS AND VOIDS WARRANTY.



REDUCTION CHART

| | FROM MAIN BOOM RATINGS | FROM JIB RATINGS |
|---------------|------------------------------|------------------------|
| MAIN BLOCK | 100 kg | N/A |
| HOOK & BALL | 50 kg | 50 kg |
| JIB, STOWED | 0 kg | N/A |
| JIB, DEPLOYED | 320 kg | 0 kg |

RIGGING CHART

| | |
|---|-------------------------|
| 1-PART 0 - 3400 kg | 4-PART 0 - 13 610 kg |
| WIRE ROPE: 13 mm diameter Min. breaking strength 128,4 kN. | |

1) The rated loads are the maximum lifting capacities as determined by operating radius only. Any combination of boom lengths and angles may be used to obtain operating radius. The operating radius is the horizontal distance from a projection of the axis of rotation to the supporting surface, before loading, to the center of vertical hoist line or tackle with load applied.

2) The rated loads shown on outriggers do not exceed 80% of actual tipping. The rated loads shown on rubber do not exceed 75% of actual tipping. These ratings are based on freely suspended loads with the crane leveled, standing on a firm, uniform supporting surface. Practical working loads depend on supporting surface, operating radius and other factors affecting stability. Hazardous surroundings, climatic conditions, experience of personnel and proper training must all be taken into account by the operator.

3) The weights of all load handling devices such as hooks, hook blocks, slings, etc., except the hoist rope, shall be considered as part of the load. See reduction chart.

4) Ratings on outriggers are with outriggers fully extended.

5) Ratings on rubber depend on tire capacity, condition of tires and proper inflation pressure (8,3 bar). Loads on rubber may be transported at a maximum speed of 1,4 km/h on a smooth hard level surface with boom retracted to the shortest length possible and centered over front.

6) For operating radius not shown, use load rating of next larger radius.

7) The maximum combined total boom and deck load is 7260 kg. The maximum deck load only is 9070 kg.

8) Do not induce any external side loads to boom or jib.

1302539YB

THIS CHART IS ONLY A GUIDE AND SHOULD NOT BE USED TO OPERATE THE CRANE.

The individual crane's load chart, operating instructions and other instructional plates must be read and understood prior to operating the crane.

DIN/ISO load chart

YB5515 (four-section boom)

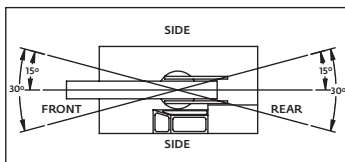
| RADIUS (m) | 4TH RETRACTED | | | | RADIUS (m) | 4TH EXTENDED | | | | MAIN BOOM ANGLE (deg) | JIB STRUCTURAL CAPACITIES (kg) | | | | | | |
|---------------|--------------------|--------|----------------|------|---------------|--------------------|------|----------------|------|--------------------------------|--------------------------------|------|------|--------------|------|------|------|
| | ON OUTRIGGERS (kg) | | ON RUBBER (kg) | | | ON OUTRIGGERS (kg) | | ON RUBBER (kg) | | | 4TH RETRACTED | | | 4TH EXTENDED | | | |
| | F/R | 360° | F/R | 360° | | F/R | 360° | F/R | 360° | | 0° | 15° | 30° | 0° | 15° | 30° | |
| 1,8 | 13 610 | 13 610 | 7710 | 7710 | MAIN BOOM | 1,8 | - | - | - | - | 69 | 2720 | 1770 | 1270 | 2350 | 1770 | 1270 |
| 2,4 | 11 880 | 11 880 | 6120 | 6120 | | 2,4 | 5030 | 5030 | 5030 | 5030 | 65 | 2270 | 1590 | 1160 | 2250 | 1590 | 1160 |
| 3,0 | 10 120 | 10 120 | 4860 | 4890 | | 3,0 | 4850 | 4850 | 4850 | 4850 | 60 | 1950 | 1430 | 1070 | 1950 | 1430 | 1070 |
| 3,7 | 8440 | 8440 | 3950 | 3390 | | 3,7 | 4200 | 4200 | 4200 | 4200 | 55 | 1720 | 1290 | 1000 | 1720 | 1290 | 1000 |
| 4,3 | 6710 | 6710 | 3270 | 2400 | | 4,3 | 3760 | 3760 | 3520 | 3320 | 50 | 1540 | 1180 | 950 | 1540 | 1180 | 950 |
| 4,6 | 5900 | 5900 | 2990 | 2140 | | 4,6 | 3720 | 3720 | 3240 | 2670 | 45 | 1380 | 1090 | 910 | 1380 | 1090 | 910 |
| 4,9 | 5540 | 5540 | 2670 | 1960 | | 4,9 | 3680 | 3680 | 3000 | 2420 | 40 | 1270 | 1020 | 880 | 1270 | 1020 | 880 |
| 5,5 | 4900 | 4450 | 2160 | 1620 | | 5,5 | 3610 | 3610 | 2530 | 1960 | 35 | 1180 | 980 | 860 | 1180 | 980 | 860 |
| 6,1 | 4370 | 3600 | 1720 | 1310 | | 6,1 | 3550 | 3550 | 2060 | 1530 | 30 | 1090 | 940 | 840 | 1090 | 940 | 840 |
| 6,7 | 3920 | 3050 | 1380 | 1030 | | 6,7 | 3500 | 3500 | 1720 | 1280 | 25 | 1040 | 930 | - | 1040 | 930 | - |
| 7,3 | 3320 | 2670 | 1150 | 820 | | 7,3 | 3460 | 3020 | 1470 | 1060 | 20 | 1000 | 910 | - | 1000 | 910 | - |
| 7,9 | 2820 | 2340 | 990 | 650 | | 7,9 | 3180 | 2620 | 1250 | 890 | 15 | 950 | 880 | - | 950 | 880 | - |
| 8,5 | 2400 | 2060 | 870 | 560 | | 8,5 | 2730 | 2230 | 1080 | 750 | 10 | 930 | - | - | 930 | - | - |
| 9,1 | 2050 | 1800 | 770 | 470 | | 9,1 | 2350 | 1950 | 910 | 630 | 5 | 920 | - | - | 920 | - | - |
| 9,8 | 1790 | 1600 | 670 | 400 | | 9,8 | 2120 | 1660 | 770 | 530 | 0 | 910 | - | - | 910 | - | - |
| 10,4 | 1590 | 1440 | 580 | 340 | | 10,4 | 1910 | 1440 | 640 | 450 | | | | | | | |
| 11,0 | 1410 | 1270 | 500 | 270 | 11,0 | 1690 | 1270 | 540 | 370 | | | | | | | | |
| 11,4 | 1290 | 1150 | 450 | 230 | 11,4 | 1550 | 1180 | 480 | 320 | | | | | | | | |
| 12,2 | 1170 | 1020 | 400 | 190 | 12,2 | 1360 | 1070 | 400 | 250 | | | | | | | | |
| 12,8 | 1090 | 950 | 360 | 170 | 12,8 | 1260 | 970 | 350 | 200 | | | | | | | | |
| 13,4 | 1020 | 880 | 320 | 150 | 13,4 | 1150 | 890 | 310 | 160 | | | | | | | | |
| 14,0 | 950 | 810 | 280 | 120 | 14,0 | 1040 | 820 | 280 | 130 | | | | | | | | |
| 14,9 | 870 | 700 | 230 | 90 | 14,9 | 900 | 740 | 240 | 90 | | | | | | | | |
| 16,0 | 780 | 550 | 150 | 50 | 16,0 | 800 | 640 | 190 | 50 | | | | | | | | |
| 17,7 | - | - | - | - | 17,7 | 650 | 500 | 110 | 0 | | | | | | | | |
| 19,4 | - | - | - | - | 19,4 | 480 | 350 | 20 | 0 | | | | | | | | |
| | | | | | | | | | | | | | | | | | |

NOTES:

JIB CAPACITY IS LIMITED BY BOTH STRUCTURAL CAPACITY CHART AND MAIN CAPACITY CHART.

SHADED AREAS ARE GOVERNED BY STRUCTURAL STRENGTH, DO NOT RELY ON TIPPING.

OPERATION OF THIS EQUIPMENT IN EXCESS OF RATING CHARTS AND DISREGARD OF INSTRUCTIONS IS DANGEROUS AND VOIDS WARRANTY.



| REDUCTION CHART | | |
|-----------------|------------------------|------------------|
| | FROM MAIN BOOM RATINGS | FROM JIB RATINGS |
| MAIN BLOCK | 100 kg | N/A |
| HOOK & BALL | 50 kg | 50 kg |
| JIB, STOWED | 0 kg | N/A |
| JIB, DEPLOYED | 320 kg | 0 kg |

| RIGGING CHART | |
|---|--|
| | |
| WIRE ROPE: 13 mm diameter Min. breaking strength 128,4 kN. | |

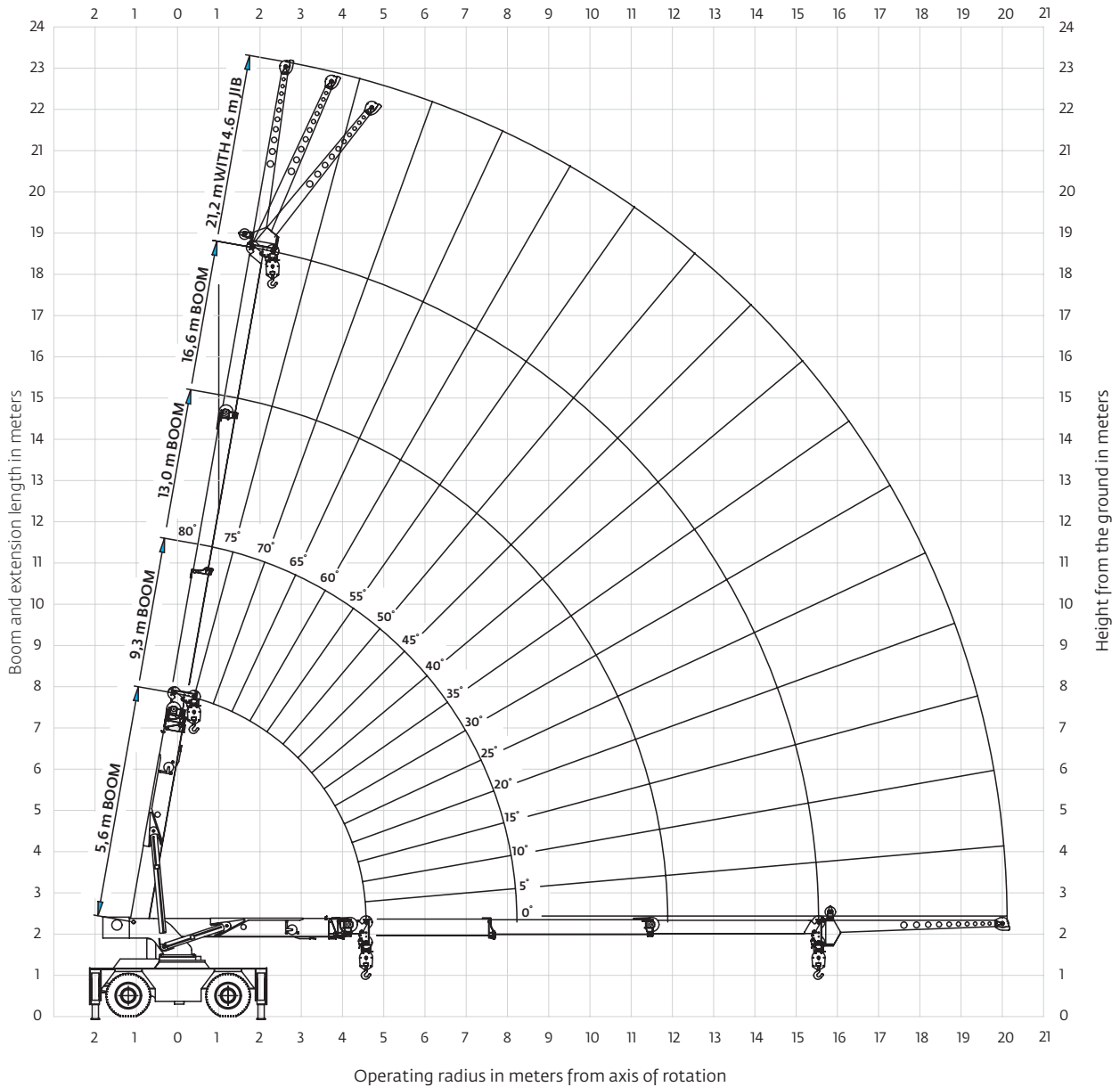
- The rated loads are the maximum lifting capacities as determined by operating radius only. Any combination of boom lengths and angles may be used to obtain operating radius. The operating radius is the horizontal distance from a projection of the axis of rotation to the supporting surface, before loading, to the center of vertical hoist line or tackle with load applied.
- The rated loads shown on outriggers do not exceed 80% of actual tipping. The rated loads shown on rubber do not exceed 75% of actual tipping. These ratings are based on freely suspended loads with the crane leveled, standing on a firm, uniform supporting surface. Practical working loads depend on supporting surface, operating radius and other factors affecting stability. Hazardous surroundings, climatic conditions, experience of operator and proper training must be taken into account by the operator.
- The weights of all load handling devices, such as hooks, hook blocks, slings, etc., except the hoist rope, shall be considered as part of the load. See reduction chart.
- Ratings on outriggers are with outriggers fully extended.
- Ratings on rubber depend on tire capacity, condition of tires and proper inflation pressure (8,3 bar). Loads on rubber may be transported at a maximum speed of 1,4 km/h on a smooth, hard, level surface with the boom retracted to the shortest length possible and centered over the front.
- For operating radius not shown, use load rating of next larger radius.
- The maximum combined total boom and deck load is 7260 kg. The maximum deck load only is 9070 kg.
- Do not induce any external side loads to boom or jib.

THIS CHART IS ONLY A GUIDE AND SHOULD NOT BE USED TO OPERATE THE CRANE.

The individual crane's load chart, operating instructions and other instructional plates must be read and understood prior to operating the crane.

DIN/ISO range diagram

YB5518



THIS CHART IS ONLY A GUIDE AND SHOULD NOT BE USED TO OPERATE THE CRANE.

The individual crane's load chart, operating instructions and other instructional plates must be read and understood prior to operating the crane.

DIN/ISO load chart

YB5518

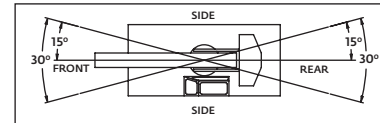
| MAIN BOOM LOAD RATINGS ON OUTRIGGERS Extended and Down 360° or Retracted and Down Front/Rear | | | | | | | | |
|---|------------------------|-----------------------|------------------------|-----------------------|------------------------|-----------------------|------------------------|-----------------------|
| Radius (m) | 5,6 m BOOM | | 9,3 m BOOM | | 13,0 m BOOM | | 16,6 m BOOM | |
| | Boom Angle (deg) | Rated Load (kg) | Boom Angle (deg) | Rated Load (kg) | Boom Angle (deg) | Rated Load (kg) | Boom Angle (deg) | Rated Load (kg) |
| 1,8 | 64 | 16 330 | 75 | 10 560 | 79 | 8230 | - | - |
| 2,4 | 57 | 14 290 | 71 | 10 430 | 76 | 8000 | 80 | 5860 |
| 3,0 | 48 | 10 900 | 67 | 10 000 | 74 | 7110 | 77 | 5800 |
| 3,7 | 38 | 8850 | 63 | 8880 | 71 | 6280 | 75 | 5530 |
| 4,3 | 25 | 7120 | 58 | 7260 | 68 | 5610 | 73 | 4920 |
| 4,6 | 0 | 6390 | 56 | 6640 | 66 | 5330 | 72 | 4660 |
| 4,9 | - | - | 53 | 6100 | 65 | 5070 | 71 | 4420 |
| 5,5 | - | - | 48 | 5220 | 62 | 4620 | 68 | 4020 |
| 6,1 | - | - | 43 | 4530 | 59 | 4240 | 66 | 3670 |
| 6,7 | - | - | 36 | 3980 | 55 | 3920 | 64 | 3380 |
| 7,3 | - | - | 29 | 3530 | 52 | 3570 | 61 | 3130 |
| 7,9 | - | - | 18 | 3160 | 48 | 3260 | 59 | 2910 |
| 8,2 | - | - | 0 | 3040 | 46 | 3100 | 58 | 2820 |
| 8,5 | - | - | - | - | 44 | 2960 | 56 | 2750 |
| 9,1 | - | - | - | - | 40 | 2625 | 54 | 2580 |
| 9,8 | - | - | - | - | 36 | 2335 | 51 | 2390 |
| 10,4 | - | - | - | - | 30 | 2050 | 48 | 2170 |
| 11,0 | - | - | - | - | 24 | 1810 | 45 | 1930 |
| 11,6 | - | - | - | - | 15 | 1630 | 42 | 1725 |
| 11,9 | - | - | - | - | 0 | 1550 | 40 | 1630 |
| 12,2 | - | - | - | - | - | - | 39 | 1540 |
| 12,8 | - | - | - | - | - | - | 35 | 1390 |
| 13,4 | - | - | - | - | - | - | 31 | 1270 |
| 14,0 | - | - | - | - | - | - | 26 | 1150 |
| 14,6 | - | - | - | - | - | - | 21 | 1045 |
| 15,5 | - | - | - | - | - | - | 0 | 930 |

| MAIN BOOM ON RUBBER Any Boom Length | | |
|--|-------------------------|------------------------|
| Radius (m) | Front Rating (kg) | 360° Rating (kg) |
| 1,8 | 7260 | 4950 |
| 2,4 | 5680 | 3950 |
| 3,0 | 4500 | 3360 |
| 3,7 | 3620 | 2880 |
| 4,3 | 3040 | 2390 |
| 4,9 | 2570 | 2000 |
| 5,5 | 2190 | 1690 |
| 6,1 | 1890 | 1430 |
| 6,7 | 1640 | 1210 |
| 7,3 | 1420 | 1030 |
| 7,9 | 1220 | 870 |
| 8,5 | 1090 | 740 |
| 9,1 | 950 | 630 |
| 9,8 | 840 | 525 |
| 10,4 | 720 | 430 |
| 11,0 | 610 | 340 |
| 11,6 | 520 | 270 |
| 12,2 | 470 | 215 |
| 12,8 | 400 | 165 |
| 13,4 | 340 | 120 |
| 14,0 | 280 | 80 |
| 14,6 | 230 | 45 |
| 15,5 | 150 | 0 |

NOTES:
JIB CAPACITY IS LIMITED BY BOTH STRUCTURAL CAPACITY CHART AND MAIN CAPACITY CHART.

SHADED AREAS ARE GOVERNED BY STRUCTURAL STRENGTH, DO NOT RELY ON TIPPING.

OPERATION OF THIS EQUIPMENT IN EXCESS OF RATING CHARTS AND DISREGARD OF INSTRUCTIONS IS DANGEROUS AND VOIDS WARRANTY.



| RATING REDUCTIONS FOR LOAD HANDLING DEVICES INSTALLED (kg) | | |
|--|----------------|----------------|
| | FROM MAIN BOOM | FROM JIB |
| MAIN BLOCK | 95 | NOT APPLICABLE |
| HOOK & BALL | 43 | 43 |
| JIB STOWED | NO REDUCTION | NOT APPLICABLE |
| JIB DEPLOYED | 318 | NO REDUCTION |

Note: For 360° rating on rubber, rear axle locks must be in place.

| MAIN BOOM LOAD RATINGS ON OUTRIGGERS Retracted and Down 360° | | | | | | | | |
|---|------------------------|-----------------------|------------------------|-----------------------|------------------------|-----------------------|------------------------|-----------------------|
| Radius (m) | 5,6 m BOOM | | 9,3 m BOOM | | 13,0 m BOOM | | 16,6 m BOOM | |
| | Boom Angle (deg) | Rated Load (kg) | Boom Angle (deg) | Rated Load (kg) | Boom Angle (deg) | Rated Load (kg) | Boom Angle (deg) | Rated Load (kg) |
| 1,8 | 64 | 16 330 | 75 | 10 560 | 79 | 8230 | - | - |
| 2,4 | 57 | 9760 | 71 | 8450 | 76 | 7500 | 80 | 5850 |
| 3,0 | 48 | 6890 | 67 | 6250 | 74 | 5630 | 77 | 5130 |
| 3,7 | 38 | 5050 | 63 | 4860 | 71 | 4480 | 75 | 4180 |
| 4,3 | 25 | 3700 | 58 | 3910 | 68 | 3660 | 73 | 3420 |
| 4,6 | 0 | 3260 | 56 | 3530 | 66 | 3320 | 72 | 3140 |
| 4,9 | - | - | 53 | 3210 | 65 | 3070 | 71 | 2870 |
| 5,5 | - | - | 48 | 2700 | 62 | 2590 | 68 | 2440 |
| 6,1 | - | - | 43 | 2240 | 59 | 2200 | 66 | 2100 |
| 6,7 | - | - | 36 | 1890 | 55 | 1890 | 64 | 1810 |
| 7,3 | - | - | 29 | 1610 | 52 | 1630 | 61 | 1580 |
| 7,9 | - | - | 18 | 1390 | 48 | 1420 | 59 | 1380 |
| 8,2 | - | - | 0 | 1310 | 46 | 1320 | 58 | 1290 |
| 8,5 | - | - | - | - | 44 | 1220 | 56 | 1210 |
| 9,1 | - | - | - | - | 40 | 1050 | 54 | 1060 |
| 9,8 | - | - | - | - | 36 | 930 | 51 | 920 |
| 10,4 | - | - | - | - | 30 | 830 | 48 | 810 |
| 11,0 | - | - | - | - | 24 | 730 | 45 | 720 |
| 11,6 | - | - | - | - | 15 | 640 | 42 | 650 |
| 11,9 | - | - | - | - | 0 | 610 | 40 | 600 |
| 12,2 | - | - | - | - | - | - | 39 | 560 |
| 12,8 | - | - | - | - | - | - | 35 | 470 |
| 13,4 | - | - | - | - | - | - | 31 | 390 |
| 14,0 | - | - | - | - | - | - | 26 | 320 |
| 14,6 | - | - | - | - | - | - | 21 | 250 |
| 15,5 | - | - | - | - | - | - | 0 | 170 |

| 4,6 m JIB CAPACITIES ON EXTENDED OUTRIGGERS (kg) | | | | | |
|--|---------------------------|---------------------------|---------------------------|---------------------------|-----------------------|
| Main Boom Angle (deg) | Jib Offset Angle | | | | |
| | 0° | | 15° | | 30° |
| | To 13,0 m Main Boom | To 16,6 m Main Boom | To 13,0 m Main Boom | To 16,6 m Main Boom | Any Boom Length |
| 80 | - | - | 2270 | 2270 | 1590 |
| 75 | 3450 | - | 2000 | 2000 | 1410 |
| 70 | 2770 | - | 1770 | 1770 | 1270 |
| 65 | 2270 | 2090 | 1590 | 1590 | 1160 |
| 60 | 1950 | 1730 | 1430 | 1420 | 1070 |
| 55 | 1730 | 1460 | 1290 | 1260 | 1000 |
| 50 | 1540 | 1225 | 1180 | 1100 | 930 |
| 45 | 1380 | 1020 | 1090 | 940 | 850 |
| 40 | 1270 | 870 | 1020 | 800 | 780 |
| 35 | 1180 | 760 | 980 | 700 | 700 |
| 30 | 1090 | 680 | 940 | 625 | 630 |
| 25 | 1010 | 610 | 930 | 570 | - |
| 20 | 930 | 565 | 910 | 535 | - |
| 15 | 870 | 550 | 890 | 520 | - |
| 10 | 840 | 535 | - | - | - |
| 5 | 830 | 530 | - | - | - |
| 0 | 825 | 530 | - | - | - |

- The rated loads are the maximum lift capacities as determined by operating radius, boom length and boom angle. The operating radius is the horizontal distance from a projection of the axis of rotation to the supporting surface, before loading, to the center of vertical hoist line or tackle with load applied.
- The rated loads shown on outriggers do not exceed 80% of actual tipping. The rated loads shown on rubber do not exceed 75% of actual tipping. These ratings are based on freely suspended loads with the crane leveled, standing on a firm, uniform supporting surface. Practical working loads depend on supporting surface, operating radius and other factors affecting stability. Hazardous surroundings, climatic conditions, experience of personnel and proper handling must all be taken into account by the operator.
- The weights of all load handling devices, such as hooks, hook blocks, slings, etc., except the hoist rope, shall be considered as part of the load. See above.
- Ratings on outriggers are for either outriggers fully extended and down or fully retracted and down. Ratings for outriggers fully retracted and down will apply for any intermediate outrigger setting.
- Ratings on rubber depend on tire capacity, condition of tires and proper inflation pressure (8,3 bar). Loads on rubber may be transported at a maximum speed of 1,4 km/h on a smooth hard level surface with boom retracted to the shortest length possible and centered over front. Do not use jib with crane on rubber.
- For operating radius not shown, use load rating of next larger radius.
- The maximum combined total boom and deck load is 7264 kg. The maximum deck load only is 9080 kg.
- Do not induce any external side loads to boom or jib.

MAXIMUM PERMISSIBLE SINGLE LINE PULL = 4080 kg

WIRE ROPE: 13 mm dia. 10 x 19 EIPS IWRC BRIGHT
Min. req'd breaking strength = 15 710 kg

THIS CHART IS ONLY A GUIDE AND SHOULD NOT BE USED TO OPERATE THE CRANE.

The individual crane's load chart, operating instructions and other instructional plates must be read and understood prior to operating the crane.

Symbols glossary



Axles



Counterweight



Grade



Outriggers



Boom



Drive



Heavy duty jib



Radius



Boom elevation



Electrical system



Hoist



Rotation



Boom extension



Engine



Hookblock



Speed



Boom length



Extension



Hydraulic system



Steering



Boom nose



Frame



Lights



Suspension



Brakes



Fuel tank capacity



Oil



Swing



Cab



Gear



Outrigger controls



Tires



Transmission

Notes

Manitowoc Cranes

Regional headquarters

Americas

Manitowoc, Wisconsin, USA

Tel: +1 920 684 6621

Fax: +1 920 683 6277

Shady Grove, Pennsylvania, USA

Tel: +1 717 597 8121

Fax: +1 717 597 4062

Europe, Middle East, Africa

Ecully, France

Tel: +33 (0)4 72 18 20 20

Fax: +33 (0)4 72 18 20 00

China

Shanghai, China

Tel: +86 21 6457 0066

Fax: +86 21 6457 4955

Greater Asia-Pacific

Singapore

Tel: +65 6264 1188

Fax: +65 6862 4040

Regional offices

Americas

Brazil

Alphaville

Mexico

Monterrey

Chile

Santiago

Europe, Middle East,

Africa

Czech Republic

Netvorice

France

Baudemont

Cergy

Decines

Germany

Langenfeld

Hungary

Budapest

Italy

Lainate

Netherlands

Breda

Poland

Warsaw

Portugal

Baltar

Russia

Moscow

U.A.E.

Dubai

U.K.

Buckingham

China

Beijing

Chengdu

Guangzhou

Xian

Greater Asia-Pacific

Australia

Adelaide

Brisbane

Melbourne

Sydney

India

Calcutta

Chennai

Delhi

Hyderabad

Pune

Korea

Seoul

Philippines

Makati City

Singapore

Factories

Brazil

Alphaville

China

TaiAn

Zhangjiagang

France

Charlieu

Moulins

Germany

Wilhelmshaven

India

Pune

Italy

Niella Tanaro

Portugal

Baltar

Fânzeres

Slovakia

Saris

USA

Manitowoc

Port Washington

Shady Grove

This document is non-contractual. Constant improvement and engineering progress make it necessary that we reserve the right to make specification, equipment, and price changes without notice. Illustrations shown may include optional equipment and accessories and may not include all standard equipment.