

Technical sheet :

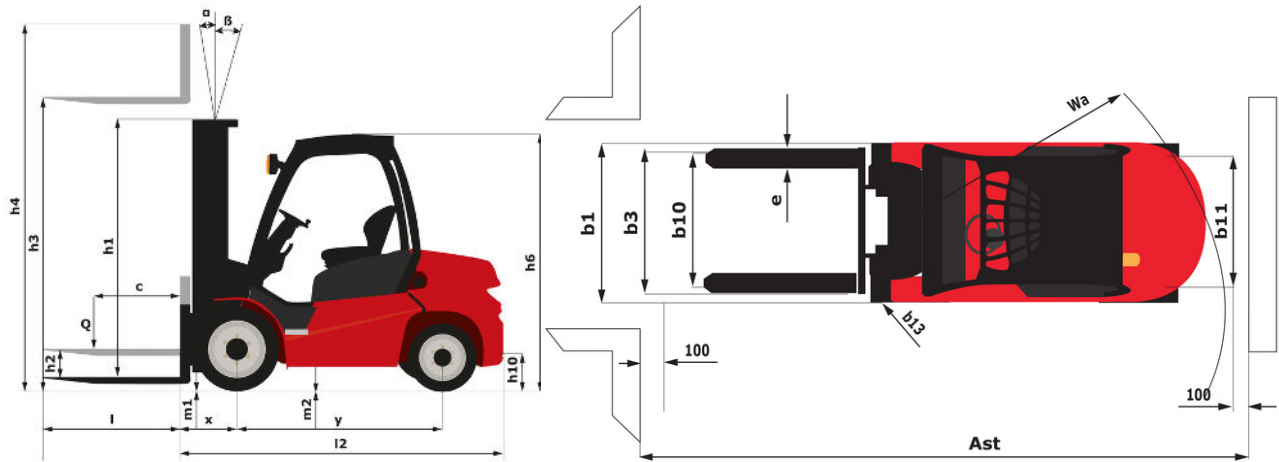
# MI 40 D

---



Technical characteristics			Imperial
1.1	Manufacturer		Manitou
1.2	Model Name		MI 40 D
1.3	Power source		Diesel
1.4	Operator type		Seated
1.5	Max. capacity	Q	8818 lb
1.6	Load centre of gravity	c	20 in
1.8	Load distance, centre of drive axle to fork	x	22 in
1.9	Wheelbase	y	79 in
Weight			
2.1	Service weight		13889 lb
2.2	Weight on front axle (laden) / rear axle (laden)		19842 lb / 2866 lb
2.3	Weight on front axle (Unladen) / rear axle (Unladen)		6173 lb / 7716 lb
Wheels			
3.1	Tyres type		Pneumatic
3.2	Dimensions of front wheels		300-15 18PR
3.3	Dimensions of rear wheels		7.00-12-12PR
3.5	Number of front wheels / rear wheels		2 / 2
3.5.2	Number of drive wheels		2
3.6	Front wheel gauge	b10	46 in
3.7	Rear wheel gauge	b11	44 in
Dimensions			
4.1	Tilt of Mast Forward (deg) / Backward (deg)	$\alpha / \beta$	6 / 12
4.12	Height of towing bar (coupling height)	h10	18 in
4.19	Overall length	l1	169 in
4.20	Length to face of forks	l2	121 in
4.21	Overall width	b1	59 in
4.21	Overall width - Single wheels	b1	55 in
4.22	Forks section / width / length	s / e / l	2 in x 5 in / 48 in
4.23	Fork carriage ISO 2328 (class/form) A/B		3A
4.24	Fork carriage width	b3	49 in
4.31	Ground clearance below mast	m1	7 in
4.32	Ground clearance at centre of wheelbase	m2	754 ft 7 in
4.33	Aisle Width for pallets 1000 x 1200 crossways	Ast	183 in
4.34	Aisle width for 800 x 1200 pallet lengthways	Ast	188 in
4.35	Turning radius	Wa	109 in
4.36	Internal turning radius (over tyres)	b13	5 in
4.7	Height of overhead guard (cabin)	h6	94 in
4.8	Seat height/stand height	h7	54 in
Performances			
5.1	Travel speed (laden / unladen)		14 mi/h / 15 mi/h
5.2	Lifting speed (laden / unladen)		2 ft/s / 2 ft/s
5.3	Lowering speed (laden / unladen)		2 ft/s / 2 ft/s
5.5	Drawbar pull (Laden / Unladen)		4000 daN / 200 daN
5.7	Gradeability (laden / unladen)		31 % / 39 %
5.10	Service brake		Hydraulic
Engine			
7.1	Engine brand / model		Cummins / QSF2.8T4F
7.2	Engine power according to ISO 1585		55 kW
7.3	Rated speed		2600 rpm
7.4	Number of cylinders / Capacity of cylinders		4 - 171 in <sup>3</sup>
Miscellaneous			
8.2	Working hydraulic pressure for attachments		2321 PSI
8.3	Oil flow rate for attachments		90 l/min
8.4	Measured/guaranteed mean noise level at the ear of the operator		< 84 dB
8.4	Sound level at the driver's ear according to DIN 12 053		84 dB

## MI 40 D - Dimensional drawing



## Characteristics of masts and residual capacities

Full Visibility Duplex		FVD 30	FVD 33	FVD 35	FVD 37	FVD 40	FVD 45	FVD 50
h2 - Free lift	in	6"	6"	6"	6"	6"	6"	6"
h1 - Height mast lowered *	in	7' 4"	7' 10"	8' 2"	8' 6"	9' 2"	10' 1"	11'
h3 - Lifting Height	in	9' 10"	10' 10"	11' 6"	12' 2"	13' 1"	14' 9"	16' 5"
h4 - Height mast extended *	in	13' 8"	14' 8"	15' 4"	16'	17'	18' 7"	20' 3"
α / β - Mast inclination (front / rear)	°	6 / 12	6 / 12	6 / 12	6 / 12	6 / 12	6 / 12	6 / 12
Residual capacity without attachment (Industrial load chart)	lb	8818.49	8818.49	8818.49	8818.49	8818.49	8157.10	7054.79
Residual capacity with integrated side shift (Industrial load chart)	lb	8818.49	8818.49	8818.49	8818.49	8818.49	7936.64	6834.33
Height at max capacity	in	9' 10"	10' 10"	11' 6"	12' 2"	13' 1"	13' 1"	13' 1"
Height at max capacity with integrated sideshift	in	9' 10"	10' 10"	11' 6"	12' 2"	13' 1"	13' 1"	13' 1"

Free Lift Duplex		FLD 30	FLD 33	FLD 35	FLD 37
h2 - Free lift	in	4' 6"	5'	5' 4"	5' 7"
h1 - Height mast lowered *	in	7' 4"	7' 10"	8' 1"	8' 5"
h3 - Lifting Height	in	9' 10"	10' 10"	11' 6"	12' 2"
h4 - Height mast extended *	in	13' 8"	14' 8"	15' 4"	16'
α / β - Mast inclination (front / rear)	°	6 / 12	6 / 12	6 / 12	6 / 12
Residual capacity without attachment (Industrial load chart)	lb	8818.49	8818.49	8818.49	8818.49
Residual capacity with integrated side shift (Industrial load chart)	lb	8818.49	8818.49	8818.49	8818.49
Height at max capacity	in	9' 10"	10' 10"	11' 6"	12' 2"
Height at max capacity with integrated sideshift	in	9' 10"	10' 10"	11' 6"	12' 2"

Free Lift Triplex		FLT 40	FLT 43	FLT 45	FLT 47	FLT 50	FLT 55	FLT 60
h2 - Free lift	in	4'	4' 4"	4' 7"	4' 9"	5' 1"	5' 8"	6' 4"
h1 - Height mast lowered *	in	6' 10"	7' 2"	7' 5"	7' 7"	7' 11"	8' 5"	9' 2"
h3 - Lifting Height	in	13' 1"	14' 1"	14' 9"	15' 5"	16' 5"	18' 1"	19' 8"
h4 - Height mast extended *	in	17'	17' 11"	18' 8"	19' 3"	20' 3"	21' 11"	23' 7"
α / β - Mast inclination (front / rear)	°	6 / 12	6 / 6	6 / 6	6 / 6	6 / 6	3 / 6	3 / 6
Residual capacity without attachment (Industrial load chart)	lb	8818.49	8598.03	7716.18	7275.25	6834.33	6172.94	5070.63
Residual capacity with integrated side shift (Industrial load chart)	lb	8598.03	8377.57	7495.72	7054.79	6613.87	5952.48	4850.17
Height at max capacity	in	13' 1"		13' 1"	13' 1"	13' 1"		



Siège Social  
430 rue de l'Aubinière - 44150 Ancenis Cedex - France  
Tel: +33(0)2 40 09 10 11 - Fax: +33 (0)2 40 09 10 97  
[www.manitou.com](http://www.manitou.com)



This brochure describes versions and configuration options for Manitou products which may be fitted with different equipment. The equipment described in this brochure may be standard, optional or not available depending on version. Manitou reserves the right to change the specifications shown and described at any time and without prior warning. The manufacturer is not liable for the specifications given. For more information, contact your Manitou dealer. Non-contractual document. Product descriptions may differ from actual products. List of specifications is not comprehensive. The logos and visual identity of the company are the property of Manitou and may not be used without authorisation. All rights reserved. The photos and diagrams contained in this brochure are provided for information only.

MANITOU BF SA - Limited company with board of directors - Share capital: 39,668,399 euros - 857 802 508 RCS Nantes