

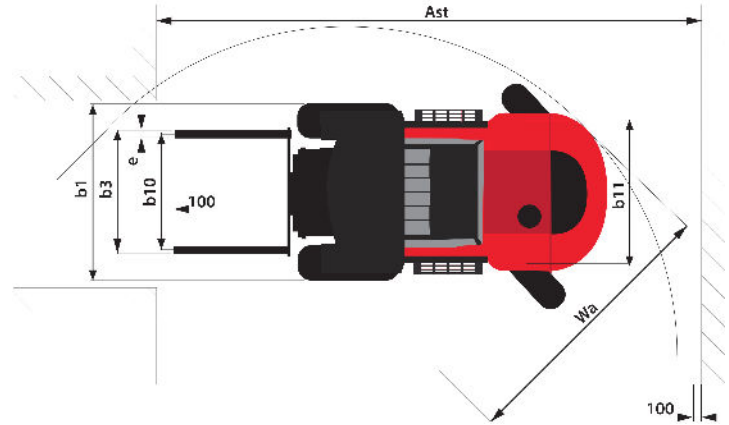
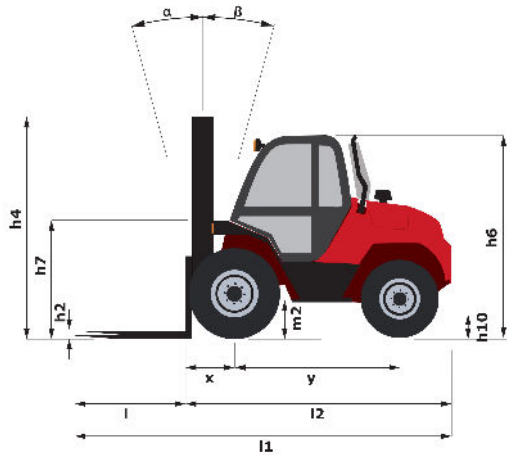
Technical sheet :

M 50-4 ST5



Technical characteristics			Imperial
1.1	Manufacturer		MANITOU
1.2	Model Name		M 50-4 ST5
1.3	Power source		Diesel
1.4	Operator type		Seated
1.5	Max. capacity	Q	11023 lbs
1.6	Load centre of gravity	c	2 ft
1.8	Load distance, centre of drive axle to fork	x	2 ft 6 in
1.9	Wheelbase	y	6 ft 11 in
Weight			
2.1	Service weight		18353 lbs
2.2	Weight on front axle (laden) / rear axle (laden)		25397 lbs / 3979 lbs
2.3	Weight on front axle (Unladen) / rear axle (Unladen)		7242 lbs / 11111 lbs
Wheels			
3.1	Tyres type		Pneumatic
3.2	Dimensions of front wheels		18-22,5 MPT06
3.3	Dimensions of rear wheels		340/80 R18 XMCL
3.5	Number of front wheels / rear wheels		2 / 2
3.5.2	Number of drive wheels		4
3.6	Front wheel gauge	b10	5 ft 4 in
3.7	Rear wheel gauge	b11	5 ft 9 in
Dimensions			
4.1	Tilt of Mast Forward (deg) / Backward (deg)	α / β	15 / 15
4.7	Height of overhead guard (cabin) / Overall height of low overhead guard (Buggie version)	h6 / h6*	8 ft 2 in / 8 ft 2 in
4.8	Seat height/stand height	h7	4 ft 9 in
4.19	Overall length	l1	16 ft 3 in
4.20	Length to face of forks	l2	12 ft 4 in
4.21	Overall width	b1	6 ft 10 in
4.22	Forks section x width x length	s / e / l	2 in x 6 in / 3 ft 11 in
4.23	Fork carriage ISO 2328 (class/form) A/B		FEM 4A
4.24	Fork carriage width	b3	5 ft 6 in
4.31	Ground clearance below mast	m1	1 ft
4.32	Ground clearance at centre of wheelbase	m2	1 ft 5 in
4.33	Aisle width for 1000 x 1200 pallet widthways	Ast	22 ft 4 in
4.34	Aisle width for 800 x 1200 pallet lengthways	Ast	22 ft 4 in
4.35	Turning radius	Wa	15 ft 3 in
Performances			
5.1	Travel speed (laden / unladen)		6.2 mph / 13.6 mph
5.2	Lifting speed (laden / unladen)		1.31 ft/s / 1.31 ft/s
5.3	Lowering speed (laden / unladen)		1.64 ft/s / 1.31 ft/s
5.5	Drawbar pull (Laden)		24729 lbf
5.10	Service brake		Hydraulic
Engine			
7.1	Engine brand / model		Deutz / TCD 2,9
7.2	Engine power according to ISO 1585		74 hp. (55 kW)
7.3	Rated speed		2300 rpm
7.4	Number of cylinders / Capacity of cylinders		4 - 178.49 in ³
7.5	Fuel consumption according to VDI cycle		2.11 gph (8 l/h)
Miscellaneous			
8.1	Type of drive control		Electric
8.2	Working hydraulic pressure for attachments		3335 PSI
8.3	Oil flow rate for attachments		25.6 gpm (97 l/min)
8.4	Sound level at the driver's ear according to DIN 12 053		78 dB(A)

Dimensional drawing



Characteristics of masts and residual capacities

Full Visibility Duplex	
h1 - Height mast lowered *	in
h4 - Height mast extended *	in
h3 - Max. lifting height	in
α / β - Mast inclination (front / rear)	°
Residual capacity at max height	lbs
Residual capacity without attachment (Off road load chart)	lbs
Residual capacity with hooked-on side shift (Off road load chart)	lbs
Height at max capacity	in
Height at max capacity with hooked-on sideshift	in

FVD 37
9' 5"
15' 8"
12' 2"
15 / 15
11023
11023
10362
12' 2"
12' 2"

FVD 45
10' 9"
18' 3"
14' 9"
15 / 15
8818
13' 1"

Free Lift Triplex	
h2 - Free lift	in
h1 - Height mast lowered *	in
h4 - Height mast extended *	in
h3 - Max. lifting height	in
α / β - Mast inclination (front / rear)	°
Residual capacity at max height	lbs
Residual capacity without attachment (Off road load chart)	lbs
Residual capacity with hooked-on side shift (Off road load chart)	lbs
Height at max capacity	in
Height at max capacity with hooked-on sideshift	in

FLT 47
5' 3"
8' 7"
18' 11"
15' 5"
15 / 15
7716
7716
7937
13' 1"

FLT 60
6' 8"
10'
23' 2"
19' 8"
10 / 15
1984
1984
1984



Siège Social

430 rue de l'Aubinière - 44150 Ancenis Cedex - France

Tel: +33(0)2 40 09 10 11 - Fax: +33 (0)2 40 09 10 97

www.manitou.com



This brochure describes versions and configuration options for Manitou products which may be fitted with different equipment. The equipment described in this brochure may be standard, optional or not available depending on version. Manitou reserves the right to change the specifications shown and described at any time and without prior warning. The manufacturer is not liable for the specifications given. For more information, contact your Manitou dealer. Non-contractual document. Product descriptions may differ from actual products. List of specifications is not comprehensive. The logos and visual identity of the company are the property of Manitou and may not be used without authorisation. All rights reserved. The photos and diagrams contained in this brochure are provided for information only.

MANITOU BF SA - Limited company with board of directors - Share capital: 39,668,399 euros - 857 802 508 RCS Nantes