

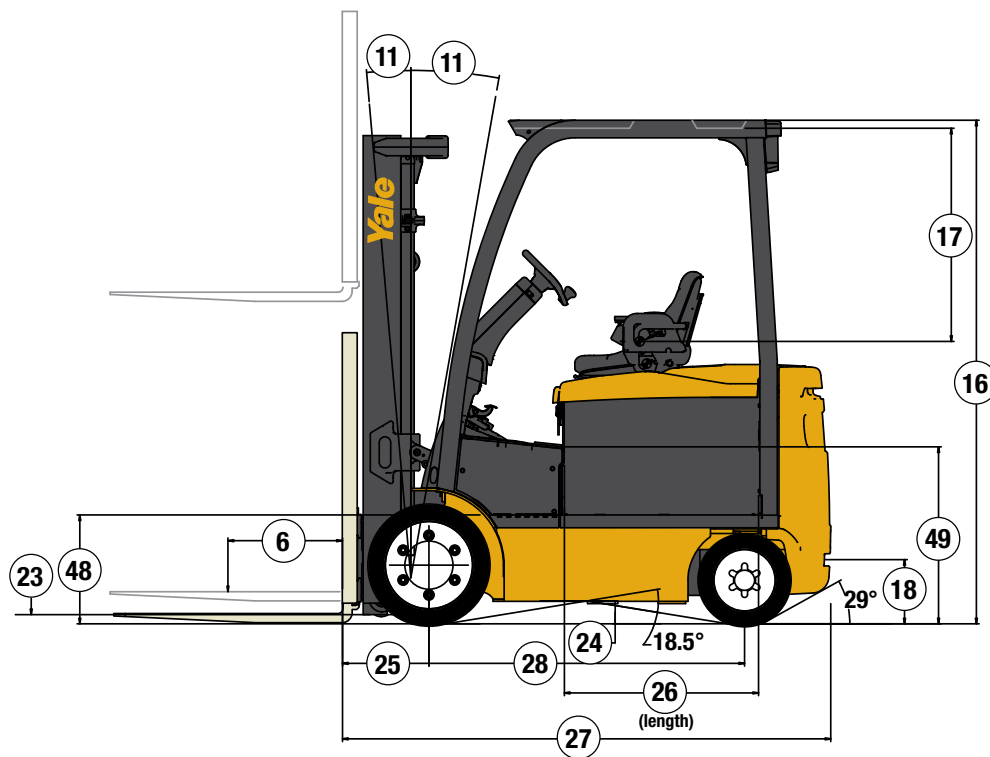
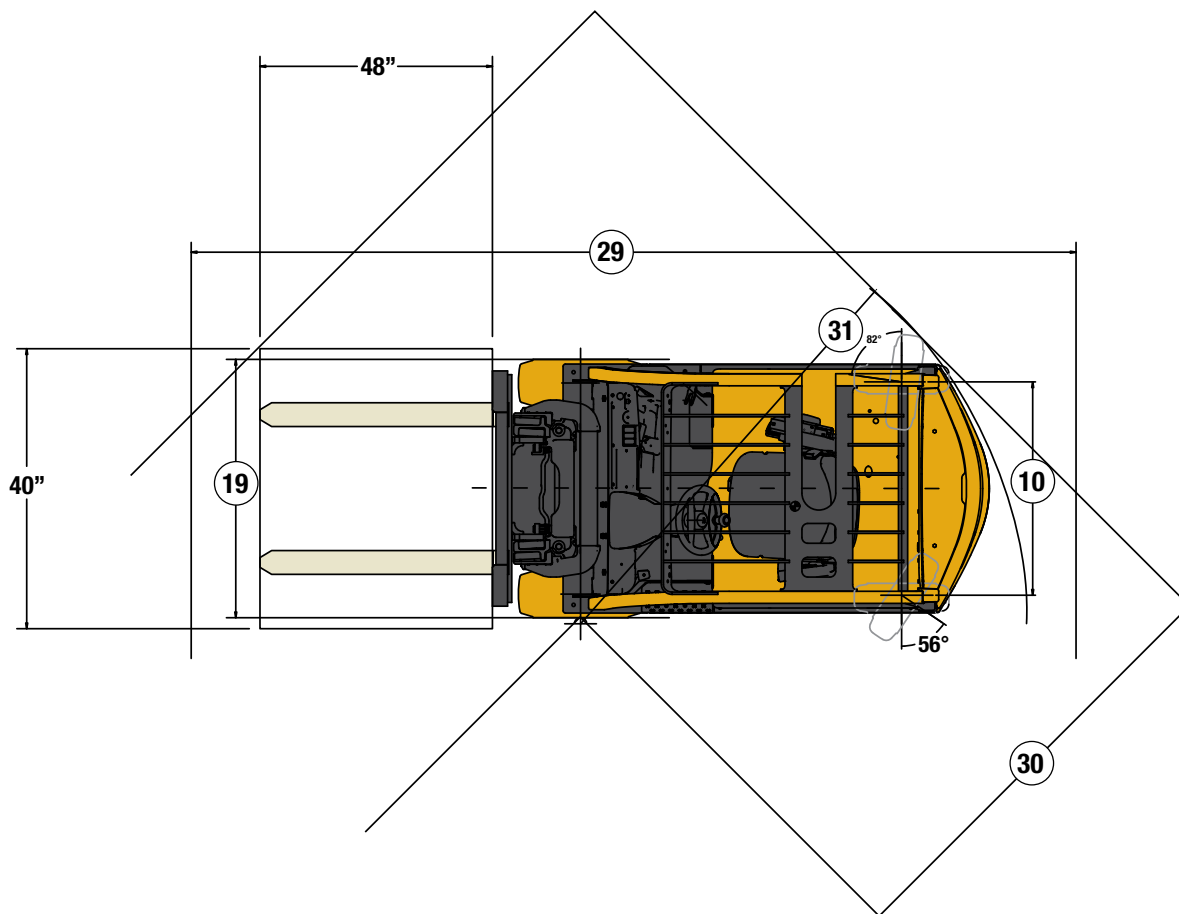


ERC 045-070VG

SPEC SHEET

Cushion tire electric
counterbalanced forklift

4,500-7,000 lbs.



Circled truck dimensions correspond to the line numbers in the General Specifications chart. Dimensions are listed in inches (millimeters).

GENERAL SPECIFICATIONS - ERC060VG

GENERAL	1	Manufacturer		Yale							
	2	Model designation		ERC060VG							
	3	Power		Electric							
	4	Operation		Sit							
	5	Rated capacity	lb. (kg)	6000 (2722)							
	6	Load center	in. (mm)	24 (610)							
TIRES	7	Tire type - cushion, solid, pneumatic, etc.		Drive/steer		Cushion / cushion					
	8	Tire size		Drive/steer		in. 21 x 8 x 15 / 16 x 6 x 10.5					
	9	Wheels - number	X=Driven	Drive/steer		2X / 2					
	10	Tread	¢ Tires	Std dr/wide dr/steer	in. (mm)		35.6/40.9/36 (905/1039/915)				
DIMENSIONS	11	Mast tilt		Std opt opt	degrees		5F/5B 10F/5B (5F/4B)				
	12	Mast	Lowered height	Std mast	in. (mm)		83 (2085)				
	13	Free lift - top of fork		Std 2-stg limited free lift mast		in. (mm)		5 (140)			
				Opt 2-stg full free lift mast with/without LBR		in. (mm)		33/56 (855/1440)			
	14	Lift height - top of fork		Std 2-stg limited free lift mast		in. (mm)		118 (3009)			
	15	Mast - extended height		Std mast with/without LBR		in. (mm)		167/144 (4235/3655)			
	16	Overhead guard height		Std/drive in rack/opt/opt flat plate		in. (mm)		88.5/88.5/86.5/84.1 (2248/2248/2197/2137)			
	17	SIP to bottom std OHG		Susp at mid-point	Std/susp/swivel	in. (mm)		38.3/37.4/37.3 (975/950/948)			
	18	Tow pin height		Vertical center of pin		in. (mm)		11 (280)			
	19	Overall width		Standard tread/wide tread		in. (mm)		43.6/48.9 (1108/1242)			
	20	Forks		Thickness x width x length		in. (mm)		2 x 4.9 x 42 (50 x 125 x 1067)			
	21	Standard carriage width		Class II		in. (mm)		38.5 (977)			
	22	Floor to top of battery rollers				in. (mm)		17.2 (436)			
	23	Ground clearance		Lowest point		in. (mm)		3.6/3.3 (91/85)			
				Center of truck		in. (mm)		3.7/3.6 (94/92)			
	24	Load distance		Center of wheel to face of forks		in. (mm)		15.8 (402)			
	26	Battery compartment		Height		Without/with battery rollers		in. (mm)	23.9/23.3 (607/593)		
				Width		in. (mm)		39.1 (992)			
				Nominal		SIZE		33"			
				Length		Actual		in. (mm)		33.3 (847)	
	27	Length to face of forks		Chassis length		in. (mm)		86.5 (2199)			
28	Wheelbase				in. (mm)		54.2 (1377)				
29	Right angle stack				in. (mm)		139.2 (3536)				
30	Equal aisle	90° Intersecting aisle		in. (mm)		74.2 (1885)					
31	Outside turning radius				in. (mm)		75.4 (1915)				
WT.	32	Truck weight	Without battery	NL	lb. (kg)		7350 (3334)				
	33	Axle loading - drive	Static w/ max. wt. battery	NL/RL	lb. (kg)		4474/14882 (2029/6750)				
	34	Axle loading - steer	Static w/ max. wt. battery	NL/RL	lb. (kg)		6769/2361 (3070/1071)				
PERFORMANCE					Standard performance		PowerPlus performance				
					VOLTS		36	48	48	80	
	36	Travel speed		Extended Shift OFF		NL/RL	mph (km/h)	10.6/9.1 (17/14.6)	11.3/11.3 (18.2/18.2)	12.3/12.8 (19.8/20.6)	12.3/12.5 (19.8/20.1)
				Extended Shift ON		NL/RL	mph (km/h)	9.5/8.3 (15.3/13.3)	10.4/9.4 (16.7/15.1)	12.2/12.2 (19.7/19.7)	12.2/12.1 (19.7/19.4)
	37	Lift speed		Std 2-stg LFL mast		NL/RL	ft/min (m/sec)	93/49 (0.47/0.25)	116/65 (0.59/0.33)	124/83 (0.63/0.42)	124/83 (0.63/0.42)
				Opt 2-stg FFL mast		NL/RL	ft/min (m/sec)	83/49 (0.42/0.25)	108/65 (0.55/0.33)	116/81 (0.59/0.41)	116/81 (0.59/0.41)
				Opt 3-stg FFL mast		NL/RL	ft/min (m/sec)	85/49 (0.43/0.25)	112/65 (0.57/0.33)	118/81 (0.6/0.41)	118/81 (0.6/0.41)
				Opt 4-stg FFL mast		NL/RL	ft/min (m/sec)	96/57 (0.49/0.29)	124/75 (0.63/0.38)	136/94 (0.69/0.48)	136/94 (0.69/0.48)
	38	Lower speed		Std 2-stg LFL mast		NL/RL	ft/min (m/sec)	91/110 (0.46/0.56)			
				Opt 2-stg FFL mast		NL/RL	ft/min (m/sec)	73/102 (0.37/0.52)			
				Opt 3-stg FFL mast		NL/RL	ft/min (m/sec)	79/104 (0.4/0.53)			
				Opt 4-stg FFL mast		NL/RL	ft/min (m/sec)	77/91 (0.39/0.46)			
	39	Gradeability		5 Minute rating		NL/RL	%	32/19	33/19	36/22	36/28
				60 Minute rating		NL/RL	%	12/7	13/7	22/13	29/16
40	Drawbar pull		5 Minute rating		NL/RL	lbf	3342/3124	3448/3229	3883/3820	3883/4830	
			60 Minute rating		NL/RL	lbf	1280/1094	1365/1184	2518/2269	3181/2912	
41	Brake		Method of control		Service/parking				Hydraulic / mechanical		
			Method of operation		Service/parking				Foot / foot		
ELECTRIC	42		Battery		Type		Lead acid Thin Plate Pure Lead* Lithium-ion*				
							VOLTS		36	48	48
	43	Traction motor		60 Minute rating		hp (kW)	24.7 (18.4)	24.7 (18.4)	31.6 (23.6)	31.6 (23.6)	
	44	Pump motor		15% Rating		hp (kW)	16.6 (12.4)	22.4 (16.7)	31.8 (23.7)	32.2 (24)	
45	Traction motor		Type/control method		AC / transistor						
46	Pump motor		Type/control method		AC / transistor						
47	Number of speeds		Traction/pump		Infinitely variable / Infinitely variable						
OTHER	48		Step height		in. (mm)		18.7 (475)				
	49		Floor height		Lowest point		in. (mm)		30.4 (772)		
	50		Attachment relief pressure		psi (bar)		2250 (155)				
	51		Auxiliary oil flow		3rd and 4th function		gal/min (l/min)		11 (40)		
	52		Sound level		Measured per ANSI B56.11.5		dB (A)		60	60	65

*Optional with Yale Power Key

Above specifications, unless otherwise listed, are for a standard truck without optional equipment.

Right angle stack and equal intersecting aisle dimensions provided with a 48" long and 40" wide pallet load, allowing zero clearance.

BATTERY AND COMPARTMENT SPECIFICATIONS - ERC045-070VG

Model	Compartment dim			Battery dim - max			Volts	No. of cells	Max capacity 6 hour rate"	Weight	
	Width	Length	Height	"X"	"Y"	"Z"				Min	Max
	in. (mm)								amp hr (kwh)	lb. (kg)	
ERC045-050VG 27" Compartment	39.1 (992)	27.6 (700)	23.9 (607)	38.7 (983)	27.2 (691)	23.5 (597)	36	18	1100 (38.3)	2300 (1050)	3300 (1500)
							48	24	800 (37.2)		
							80	40	375 (29.3)		
ERC045-050VG 30" Compartment	39.1 (992)	30.9 (786)	23.9 (607)	38.7 (983)	30.6 (777)	23.5 (597)	36	18	1200 (41.9)	2500 (1150)	3500 (1600)
							48	24	900 (42)		
							80	40	400 (31.2)		
ERC045-060VG 33" Compartment	39.1 (992)	33.3 (847)	23.9 (607)	38.7 (983)	33 (838)	23.5 (597)	36	18	1300 (45.4)	2900 (1320)	3900 (1770)
							48	24	1000 (46.6)		
							80	40	450 (35.1)		
ERC065VG 36" Compartment	39.1 (992)	36.7 (933)	23.9 (607)	38.7 (983)	36.4 (924)	23.5 (597)	36	18	1500 (52.4)	3100 (1410)	4100 (1860)
							48	24	1100 (51.1)		
							80	40	600 (46.8)		
ERC065-070VG 40" Compartment	39.1 (992)	40 (1015)	23.9 (607)	38.7 (983)	39.6 (1006)	23.5 (597)	36	18	1600 (55.8)	3400 (1550)	4400 (2000)
							48	24	1200 (55.9)		
							80	40	600 (46.8)		

Battery type: "E0" (without cover)

Battery amp hr (kwh) capacity is max allowable per UL

Commercially available lead acid or lithium-ion batteries may not necessarily reach these max limits

Battery roller option reduces battery compartment height to 23.3" (593mm) & max battery height to 23.0" (583mm)

Battery compartment length is measured front to rear. Battery compartment width is measured across the truck

Battery notes - conventional charging (option BCSSBC)

Battery connector: 36 volt - Gray SB®350 (Anderson Power Products® P/N 6320G1 or equivalent)

48 volt - Blue SB®350 (Anderson Power Products® P/N 6321G1 or equivalent)

80 volt - Black SBE®320 (Anderson Power Products® P/N E6363G1 or equivalent)

Battery lead: length 20" (508 mm), position "B", 2/0 AWG

Battery notes - rapid/fast charging (option BAFBC)

NOTE: A site survey is required to confirm your application is a candidate for rapid charge and to determine the battery and charger specifications required. Contact your battery and charger supplier.

Battery connector: requires dual positive/negative cabling terminating in (2) female EBC-320 DIN connectors (Anderson Power Products® P/N A32503-0009 or equivalent)

Each individual DIN connector to include 1 red conductor to (+) and 1 black conductor to (-)

Battery lead: length 25" (635 mm), position "B", minimum cable size 3/0 AWG

MAST DIMENSIONS - ERC045-055VG

Maximum fork height (TOF)	Overall lowered height	Overall extended height		Free lift (TOF)		Approx. total wt. of standard equipped truck w/o battery		
		w/ Load backrest	w/o Load backrest	w/ Load backrest	w/o Load backrest	ERC045VG	ERC050VG	ERC055VG
in. (mm)	in. (mm)	in. (mm)	in. (mm)	in. (mm)	in. (mm)	lbs. (kg)	lbs. (kg)	lbs. (kg)
2-STAGE LIMITED FREE-LIFT (LFL) HI-VIS™2 MAST								
125 (3192)	83 (2085)	174 (4415)	147 (3749)	5 (140)	5 (140)	6860 (3112)	7270 (3298)	6950 (3152)
133 (3392)	86 (2185)	182 (4615)	155 (3949)	5 (140)	5 (140)	7060 (3202)	7470 (3388)	7150 (3243)
137 (3492)	88 (2235)	186 (4715)	159 (4049)	5 (140)	5 (140)	7160 (3248)	7570 (3434)	7250 (3289)
2-STAGE FULL FREE-LIFT (FFL) HI-VIS™ MAST								
126 (3202)	83 (2085)	175 (4425)	148 (3759)	33 (862)	60 (1528)	6960 (3157)	7370 (3343)	7050 (3198)
133 (3402)	86 (2185)	183 (4625)	155 (3959)	37 (964)	64 (1628)	7160 (3248)	7570 (3434)	7250 (3289)
137 (3502)	88 (2235)	186 (4725)	159 (4059)	39 (1012)	66 (1678)	7260 (3293)	7670 (3479)	7350 (3334)
3-STAGE FULL FREE-LIFT (FFL) HI-VIS™2 MAST								
189 (4800)	83 (2085)	238 (6023)	210 (5399)	33 (862)	60 (1546)	7460 (3384)	7870 (3570)	7550 (3425)
194 (4950)	85 (2135)	243 (6173)	216 (5489)	36 (917)	62 (1596)	7480 (3393)	7890 (3579)	7570 (3434)
200 (5100)	88 (2235)	249 (6323)	222 (5639)	39 (1012)	66 (1696)	7530 (3416)	7940 (3602)	7620 (3456)
218 (5550)	94 (2385)	267 (6773)	239 (6089)	45 (1162)	72 (1846)	7610 (3452)	8020 (3638)	7700 (3493)
236 (6000)	102 (2585)	285 (7223)	257 (6539)	53 (1362)	80 (2046)	7690 (3488)	8100 (3674)	7780 (3529)
4-STAGE FULL FREE-LIFT (FFL) HI-VIS™ MAST								
240 (6098)	84 (2133)	289 (7321)	263 (6678)	35 (910)	61 (1553)	8000 (3629)	8410 (3815)	8090 (3670)
252 (6404)	88 (2235)	301 (7627)	275 (6984)	39 (1012)	65 (1655)	8070 (3660)	8480 (3846)	8160 (3701)
264 (6710)	92 (2336)	313 (7933)	287 (7290)	43 (1113)	69 (1756)	8140 (3692)	8550 (3878)	8230 (3733)

MAST DIMENSIONS - ERC060-070VG

Maximum fork height (TOF)	Overall lowered height	Overall extended height		Free lift (TOF)		Approx. total wt. of standard equipped truck w/o battery		
		w/ Load backrest	w/o Load backrest	w/ Load backrest	w/o Load backrest	ERC045VG	ERC050VG	ERC055VG
in. (mm)	in. (mm)	in. (mm)	in. (mm)	in. (mm)	in. (mm)	lbs. (kg)	lbs. (kg)	lbs. (kg)
2-STAGE LIMITED FREE-LIFT (LFL) HI-VIS™2 MAST								
118 (3009)	83 (2085)	167 (4237)	143 (3654)	5 (150)	5 (150)	7570 (3434)	7750 (3515)	7850 (3561)
126 (3209)	86 (2185)	175 (4437)	151 (3854)	5 (150)	5 (150)	7640 (3465)	7820 (3547)	7920 (3592)
130 (3309)	88 (2235)	179 (4537)	155 (3954)	5 (150)	5 (150)	7720 (3502)	7900 (3583)	8000 (3629)
2-STAGE FULL FREE-LIFT (FFL) HI-VIS™ MAST								
118 (3010)	83 (2085)	167 (4237)	144 (3655)	33 (857)	56 (1440)	7630 (3461)	7810 (3543)	7910 (3588)
126 (3210)	86 (2185)	175 (4437)	151 (3855)	37 (957)	60 (1540)	7670 (3479)	7850 (3561)	7950 (3606)
130 (3310)	88 (2235)	179 (4537)	155 (3955)	39 (1007)	62 (1590)	7810 (3543)	7990 (3624)	8090 (3670)
3-STAGE FULL FREE-LIFT (FFL) HI-VIS™2 MAST								
175 (4468)	83 (2085)	225 (5696)	200 (5095)	33 (857)	57 (1458)	8050 (3651)	8230 (3733)	8330 (3778)
181 (4618)	85 (2135)	231 (5846)	206 (5245)	35 (907)	59 (1508)	8150 (3697)	8330 (3778)	8430 (3824)
187 (4768)	88 (2235)	237 (5996)	212 (5395)	39 (1007)	63 (1608)	8240 (3738)	8420 (3819)	8520 (3865)
205 (5218)	94 (2385)	254 (6446)	230 (5845)	45 (1157)	69 (1758)	8310 (3769)	8490 (3851)	8590 (3896)
223 (5668)	102 (2585)	272 (6896)	248 (6295)	53 (1357)	77 (1958)	8410 (3815)	8590 (3896)	8690 (3942)
4-STAGE FULL FREE-LIFT (FFL) HI-VIS™ MAST								
240 (6098)	84 (2133)	289 (7321)	263 (6678)	35 (910)	61 (1553)	8510 (3860)	8690 (3942)	8790 (3987)
252 (6404)	88 (2235)	301 (7627)	275 (6984)	39 (1012)	65 (1655)	8580 (3892)	8760 (3973)	8860 (4019)
264 (6710)	92 (2336)	313 (7933)	287 (7290)	43 (1113)	69 (1756)	8650 (3924)	8830 (4005)	8930 (4051)

FEATURES LIST

PERFORMANCE	STD	OPT	ERGONOMICS CONTINUED	STD	OPT
36-Volt electrical system	●		Key switch controlled lights		●
Standard performance	●		Rear drive handle with integrated horn button		●
AC traction and pump motors (completely brushless)	●		Mirrors – dual side view or panoramic		●
Transistor drive and pump control	●		Synchronous steering		●
Advanced VSM (vehicle system manager)	●		Red, high-visibility, non-cinch seat belt with or without start interlock		●
Progressive thermal management system	●		Low mount display		●
48 or 80-Volt electrical system		●	OPERATION	STD	OPT
Premium Performance Package (N/A with 36-volt)		●	Battery compartment size		
Reverse Speed System		●	– 27" (ERP045-50VG)		
DRIVE	STD	OPT	– 33" (ERP055-60VG)	●	
Smooth tread rubber drive tire and steer tire	●		– 36" (ERP065VG)		
Non-marking, rubber, or lug tread tires		●	– 40" (ERP070VG)		
Wide tread tires		●	Lift out battery extraction	●	
LIFT	STD	OPT	Standard construction	●	
2-stage limited free lift (LFL) Hi-Vis™2 mast* with maximum fork height of 125" (3192mm) (ERP045-55VG) or 118" (4800mm) (ERP060-70VG)	●		UL classification type "E"	●	
2-stage full free lift (FFL) Hi-Vis™ mast* 3-stage full free lift (FFL) Hi-Vis™2 mast* 4-stage full free lift (FFL) Hi-Vis™ mast*		●	Key switch start	●	
5° forward and 5° back mast tilt	●		88.5" grid style overhead guard	●	
Mast tilt option – 10° forward / 5° back		●	3-function hydraulic control valve with seatside mechanical levers	●	
Mast tilt option – 5° forward / 4° back		●	Fully integrated CANbus communication	●	
Return to set tilt		●	On-demand power steering	●	
Accumulator		●	Continuous Stability System (CSS™)	●	
Load weight indicator		●	Static strap	●	
HANDLING	STD	OPT	Tow pin	●	
38.5" (980mm) wide Class II (ERP045-55VG) or Class III (ERP060-7VG) hook-type carriage with 38.5" (980 mm) high load backrest extension	●		On-board software: program, test & diagnose; password protected	●	
42" (1067mm) long forks	●		Electronic horn with integral relay (long life / no adjustments)	●	
Carriage with integral sideshift		●	Side extraction battery removal with rollers		●
Carriage with integral sideshifting fork positioner		●	Rapid / fast charge		●
Attachment carriages		●	Cooler/freezer package—operating temp: -20°F to +120°F		●
ERGONOMICS	STD	OPT	UL classification type "EE"		●
12" steering wheel with integral spinner knob	●		4-function hydraulic control valve		●
Non-suspension vinyl seat	●		86.5" grid style overhead guard		●
Black, non-cinch seat belt with emergency locking retractor	●		84.1" flat plate overhead guard		●
Foot applied / hand released park brake	●		88.5" drive-in rack grid style overhead guard		●
Foot Directional Control Pedal	●		Keyless start (with auxiliary key switch)		●
Power assist braking	●		LED and halogen work light packages		●
Auto Deceleration System with regenerative braking	●		LED dome / reading light		●
Multifunction display			Basic & premium LED brake/tail/back-up light packages		●
– Battery state of charge with low battery lift interrupt			Audible alarm – reverse operation (manually adjustable to 87, 97 or 102 dB)		●
– Hour meter			Visible amber strobe light - continuous activated, overhead guard mounted		●
– Performance mode indicator	●		Impact monitor		●
– Fault indicator			Operator password		●
– 4 operator selectable, programmable performance modes			Operator daily checklist		●
Easy ingress/egress with low step height and contoured handhold	●		System monitor – hydraulic low fluid level indicator and hydraulic filter service indicator		●
Operator convenience station – storage areas, beverage & clipboard holders	●		Hydraulic attachment extension tubes with quick disconnect fittings		●
Adjustable tilt steering column with low profile cowl	●		Fire extinguisher – 2.5 lb. dry chemical		●
Cushioned floor mat	●		Yale Vision		●
Seatside power disconnect button	●		Yale Reliant™		●
Accutouch electro-hydraulic mini-lever controls with fully adjustable armrest		●	ENERGY SYSTEM	STD	OPT
Non-suspension seat (cloth)		●	Lead acid	●	
Full-suspension seat (vinyl or cloth)		●	Yale Power Key		●
Full-suspension swivel seat (vinyl or cloth)		●	SUPPLEMENTAL	STD	OPT
Seatside directional control		●	36 Month / 6,000 hour powertrain warranty	●	
Automatic electro-mechanical park brake		●	12 Month / 2,000 hour full truck warranty	●	
Telescopic steering column with tilt memory		●	Operating manual	●	

About Yale



Yale Lift Truck Technologies leverages over a century of material handling experience and substantial investment in innovation to bring the most advanced technology-driven lift truck solutions to market. The company offers a full line of award-winning lift trucks, including reach trucks, order pickers, turret trucks, pallet jacks and trucks, pallet stackers, tow tractors and counterbalanced forklifts, as well as powerful operator assist solutions, proven robotics and a wide range of power sources to help customers adapt to today's demanding supply chain. Yale and its independent dealer network support these solutions with comprehensive after-sales service, parts, financing and training.

MATERIALS HANDLING FOR:

Third-party logistics (3PL)

Auto parts distribution

Beverage

Cold & frozen foods

Food distribution

Food processing

Furniture & furnishings

Government

Health & pharma

Home centers & durables


Retail & e-commerce

Yale Lift Truck Technologies
P.O. Box 7367
Greenville, NC 27835-7367
U.S.A.

yale.com



EXPLORE MORE
ONLINE.
←

© 2024 Hyster-Yale Materials Handling, Inc., all rights reserved. YALE and  are trademarks of Hyster-Yale Materials Handling, Inc.

Trucks may be shown with optional equipment and/or features not available in all regions. Truck performance may be affected by the condition of the vehicle, how it is equipped and the application. Specifications are subject to change without notice. Consult your Yale® Dealer if any of the information shown is critical to your application.

CERTIFICATION: Yale lift trucks meet the design and construction requirements of B56.1-1969, per OSHA Section 1910.178(a)(2), and also comply with the B56.1 revision in effect at time of manufacture. Classified by Underwriters' Laboratories, Inc.